

BALDOR • RELIANCE

Customer information packet

JL1307A

.75HP, 1725RPM, 1PH, 60HZ, 56J, 3428L, OPEN, F1

Class - None

Division - Not Applicable

Specifications

Enclosure	OPEN
Frame	56J
Frame Material	Steel
Frequency	60.00 Hz
Haz Area Class and Group	None
Haz Area Division	Not Applicable
Motor Letter Type	Cap Start, Induction Run
Output @ Frequency	.750 HP @ 60 HZ
Phase	1
Synchronous Speed @ Frequency	1800 RPM @ 60 HZ
Voltage @ Frequency	115.0 V @ 60 HZ 230.0 V @ 60 HZ
Agency Approvals	UR CSA
Ambient Temperature	40 °C
Auxillary Box	No Auxillary Box
Auxillary Box Lead Termination	None
Base Indicator	No Mounting
Bearing Grease Type	Polyrex EM (-20F +300F)
Blower	None
Current @ Voltage	10.200 A @ 115.0 V 5.100 A @ 230.0 V 6.000 A @ 208.0 V
Design Code	N
Drip Cover	Drip Cover
Duty Rating	CONT
Efficiency @ 100% Load	68.0 %
Electrically Isolated Bearing	Not Electrically Isolated
Feedback Device	NO FEEDBACK
Front Face Code	Drip Cover Mounting
Front Shaft Indicator	None
Heater Indicator	No Heater

Part detail

Revision	AH
Type	AC
Mech. spec.	34F156
Base	
Status	PRD/A
Elec. spec.	34WGW169
Layout	34LYF156
Eff. date	02-29-2024
CD Diagram	CD0203
Poles	04
Leads	5#18,1#14 #1TH
Proprietary	False
Created date	01-01-0001

High Voltage Full Load Amps	5.1 a
Insulation Class	B
Inverter Code	Not Inverter
KVA Code	K
Lifting Lugs	No Lifting Lugs
Locked Bearing Indicator	Locked Bearing
Motor Lead Exit	Terminal Panel Or Lead Hole
Motor Lead Quantity/Wire Size	5 @ 18 AWG
Motor Lead Termination	Flying Leads
Motor Standards	NEMA
Motor Type	3428L
Mounting Arrangement	F1
Number of Poles	4
Overall Length	13.89 IN
Power Factor	68
Product Family	General Purpose
Pulley End Bearing Type	Ball
Pulley Face Code	C-Face
Pulley Shaft Indicator	Ext Thread
Rodent Screen	None
RoHS Status	ROHS COMPLIANT
Service Factor	1.25
Shaft Diameter	0.625 IN
Shaft Extension Location	Pulley End
Shaft Ground Indicator	No Shaft Grounding
Shaft Rotation	Fixed Opposite Standard
Shaft Slinger Indicator	No Slinger
Speed	1725 rpm
Speed Code	Single Speed
Starting Method	Direct on line
Thermal Device - Bearing	None
Thermal Device - Winding	None
Vibration Sensor Indicator	No Vibration Sensor
Winding Thermal 1	Automatic Thermal Overload

Winding Thermal 1 Location

SB

Nameplate

NP1257L									
CAT.NO.	JL1307A								
SPEC.	34F156W169								
HP	.75								
VOLTS	115/230								
AMP	10.2/5.1								
RPM	1725								
FRAME	56J			HZ	60		PH	1	
SER.F.	1.25	CODE	K	DES	N	CL	B		
NEMA-NOM-EFF	68	PF	68						
RATING	40C AMB-CONT								
CC									
DE	6203	ODE	6203						
ENCL	OPEN	SN							
	SFA 11.4/5.7								

AC Induction Motor Performance Data

Record # 6904

Typical performance - not guaranteed values

Winding: 34WGW169-R001		Type: 3428L	Enclosure: OPEN
Nameplate Data		230 V, 60 Hz: High Voltage Connection	
Rated Output (HP)	.75	Full Load Torque	2.25 LB-FT
Volts	115/230	Start Configuration	direct on line
Full Load Amps	10.2/5.1	Breakdown Torque	5.5 LB-FT
R.P.M.	1725	Pull-up Torque	4.5 LB-FT
Hz	60 Phase 1	Locked-rotor Torque	9.5 LB-FT
NEMA Design Code	N KVA Code K	Starting Current	31 A
Service Factor (S.F.)	1.25	No-load Current	3.9 A
NEMA Nom. Eff.	68 Power Factor 68	Line-line Res. @ 25°C	3.1 Ω A Ph 1.64 Ω B Ph
Rating - Duty	40C AMB-CONT	Temp. Rise @ Rated Load	74°C
S.F. Amps	11.4/5.7	Temp. Rise @ S.F. Load	90°C

Load Characteristics 230 V, 60 Hz, 0.75 HP

% of Rated Load	25	50	75	100	125	150	S.F.
Power Factor	35	49	63	70	76	80	76
Efficiency	45.4	59.1	62.7	66.7	66.8	64.4	66.8
Speed	1783	1770	1754	1737	1717	1692	1717
Line amperes	4.05	4.25	4.8	5.3	6.1	7	6.1

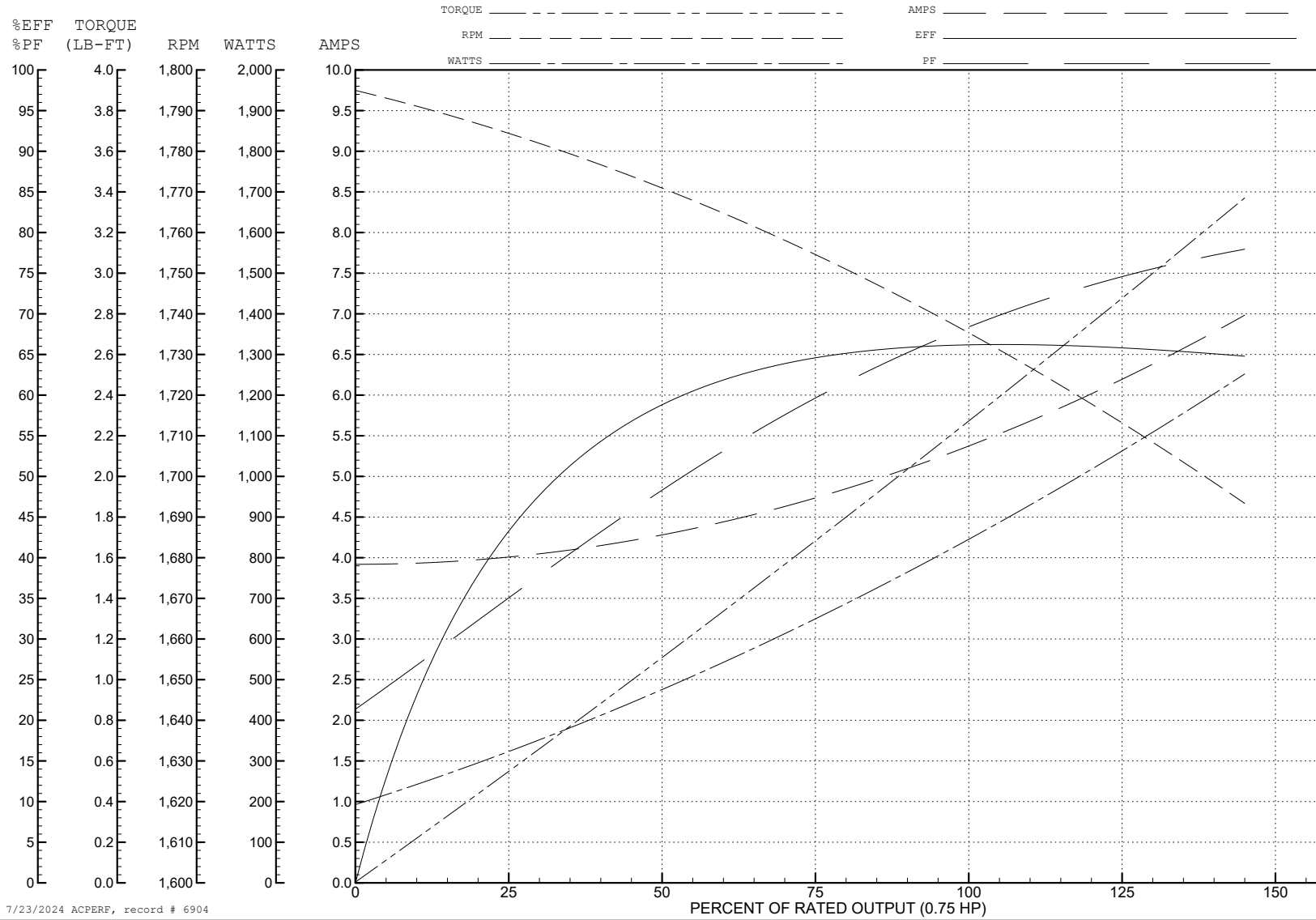
ABB Motors and Mechanical Inc.

WINDING # 34WGW169

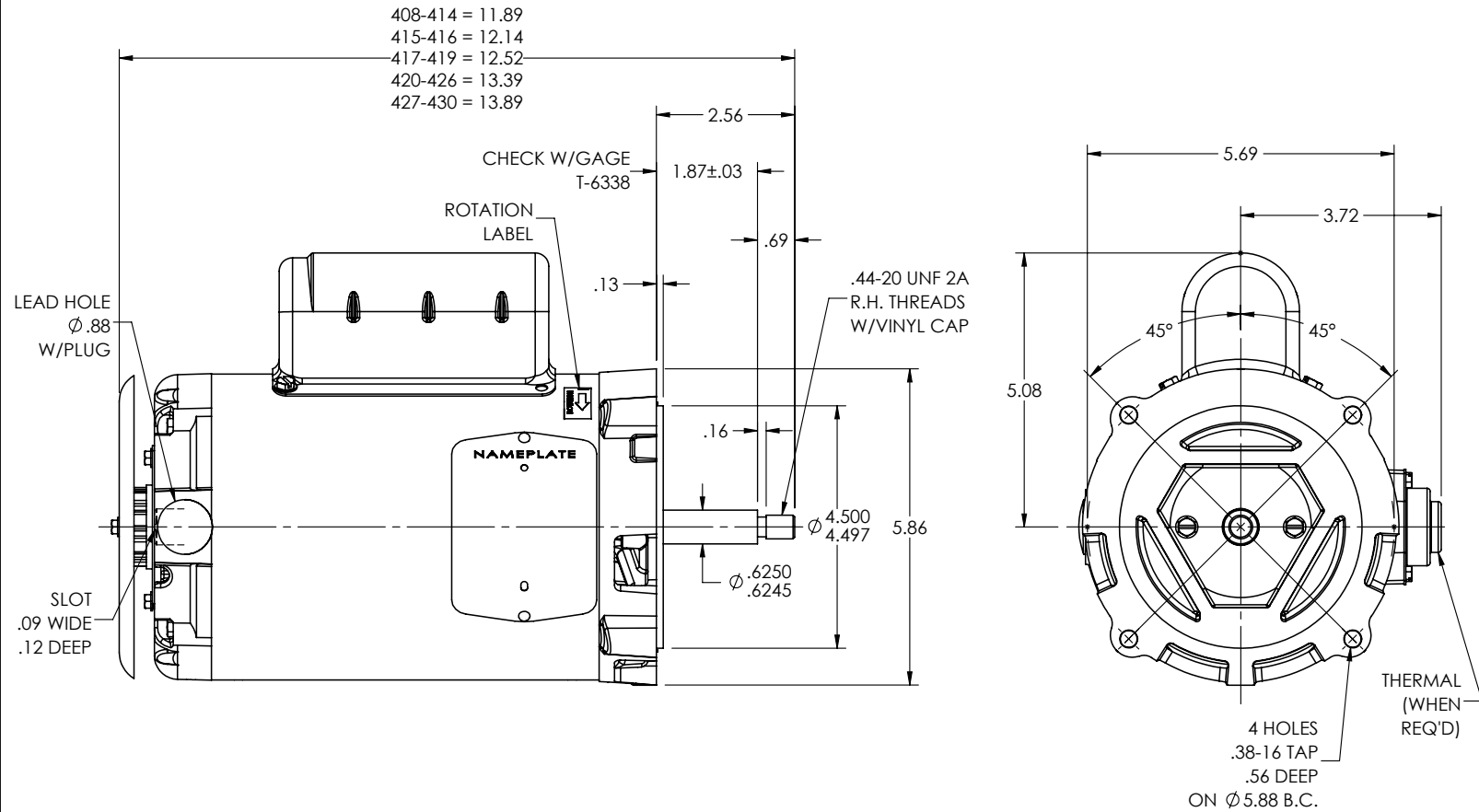
Typical performance - not guaranteed values.

0.75 HP 1 PH 60 HZ 1725 RPM 230 V 3428L

TORQUES (LB-FT) : PO=5.5 PU=4.5 LR=9.5 LRA=31



34LYF156



CUSTOMER IS RESPONSIBLE FOR DETERMINING THAT THE PRODUCT WILL PERFORM SUITABLY IN THE INTENDED APPLICATION

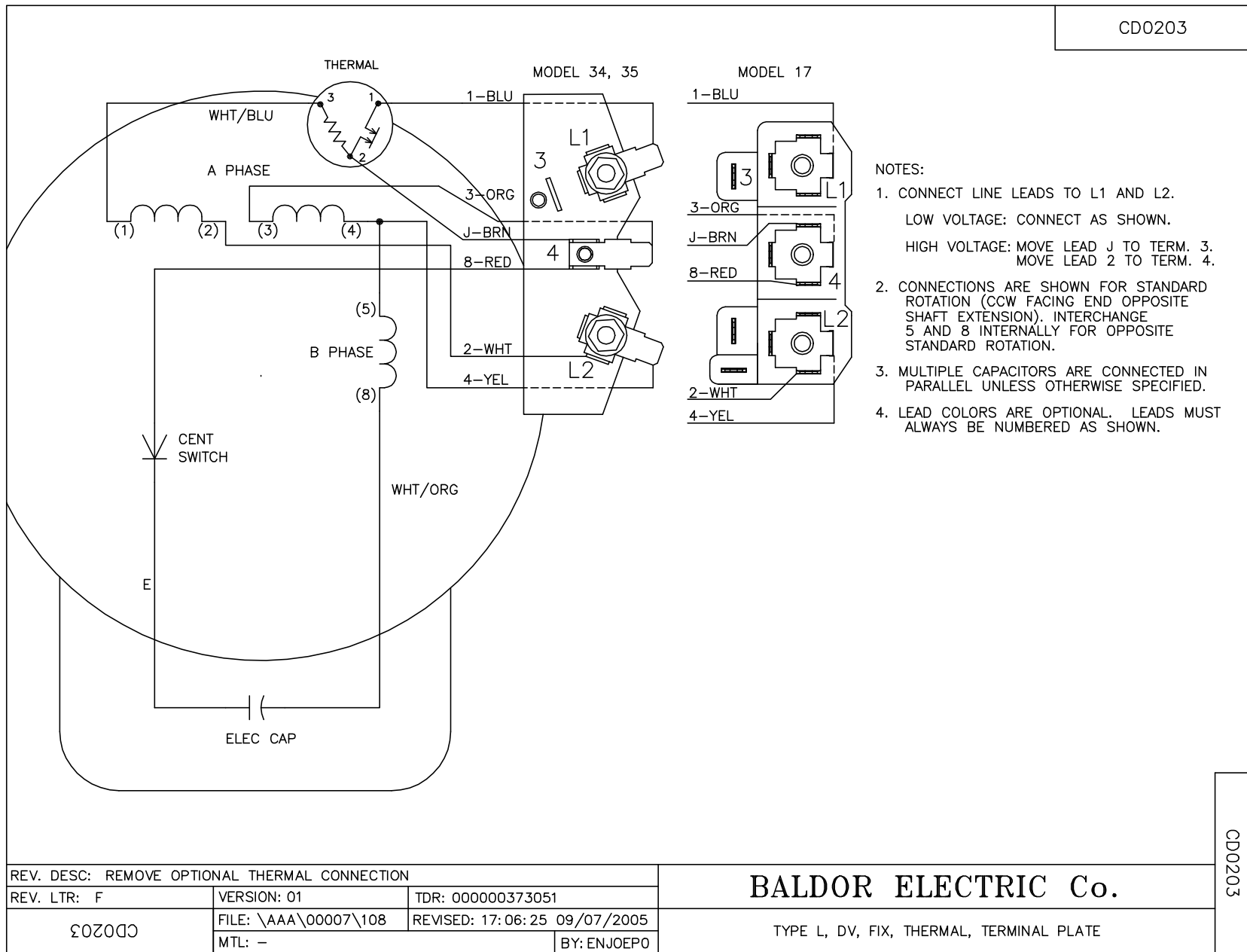
REV. DESC: LOAD TO SOLIDWORKS - REV D			
REV: E	VERSION: 02	REVISED: 01:59:54 01/04/2023	TDR: 000001201165
34LYF156	MODEL NO. 34LYF156	REF: -	
	BY: ENFRAJ0		

BALDOR - RELIANCE®

STD VERT 34L NEMA 56J OPEN W/DRIPCVR,3 PH ER, LG CAPAC

34LYF156

CD0203



REV. DESC: REMOVE OPTIONAL THERMAL CONNECTION		
REV. LTR: F	VERSION: 01	TDR: 000000373051
CD0203	FILE: \AAA\00007\108	REVISED: 17:06:25 09/07/2005
	MTL: -	BY: ENJOEPO

BALDOR ELECTRIC Co.

TYPE L, DV, FIX, THERMAL, TERMINAL PLATE

CD0203