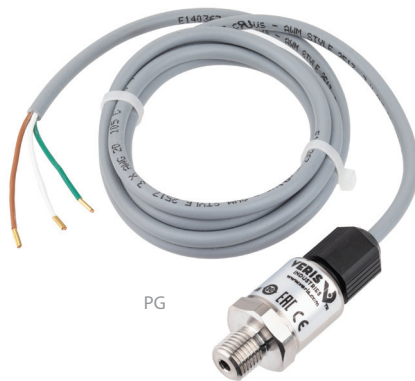


PG SERIES

Rugged Stainless Steel Construction



The PG Series pressure transducers are compatible with a variety of HVAC and industrial applications, such as refrigeration measurement, pneumatic pressure measurement, gas pressure measurement, pump inlet, and outlet fluid pressure. They are also compatible with extreme applications, such as aerospace and motor sports equipment.

Volt and mA output options ensure integration with building systems. A wide selection of pressure ranges offers application flexibility.

The PG Series offers a stainless steel housing and all models are warranted for a period of five years.

SPECIFICATIONS

GENERAL

Supply Voltage	Class 2; 12 to 30 Vdc
Output	0 to 5 Vdc (3-wire), 0 to 10 Vdc (3-wire) or 4 to 20 mA (2-wire)
Load Impedance	Volt models >10 kΩ mA models ≤250 Ω with 12 Vdc min. supply voltage mA models ≤500 Ω with 17 Vdc min. supply voltage
Standard Connection	Cable gland 59" (1.5 m) length
Pressure Port	1/4" NPT Male

PERFORMANCE AT 25 °C (77 °F)

Accuracy *	±0.5% FS
Media Compatibility	Fluids & gases compatible with 316L stainless steel
Pressure Cycles	>100 million cycles
Over Pressure	2.5x FS with no change in calibration

ENVIRONMENTAL

Shock	100G, 11 msec, 1/2 sine
Vibration	20G peak, 20 to 2400 Hz
EMI/RFI Protection	Yes
Rating	IP66
Operating Temp. Range	-30 to 120 °C (-22 to 248 °F)
Compensated Temp Range	0 to 55 °C (32 to 130 °F)
Total Error Band Over Temp	<±3% of FS

Versatile

A wide operating temperature range of -40 to 85 °C (-40 to 185 °F) for operation versatility

Sturdy construction

Suitable for high shock and vibration applications

Fewer parts to fail Rugged

No silicon oil, no internal O-rings, no welds

Stainless steel wetted construction

APPLICATIONS

- Pump inlet/outlet and compressors
- Refrigeration equipment, fluids
- Hydraulic/pneumatic systems
- Gas pressure measurement
- Energy and water management

Humidity	0 to 95% RH non-condensing
----------	----------------------------

WARRANTY

Limited Warranty	5 years
------------------	---------

AGENCY APPROVALS

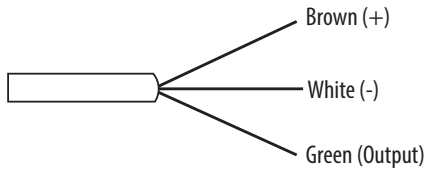


* Accuracy includes nonlinearity and hysteresis.



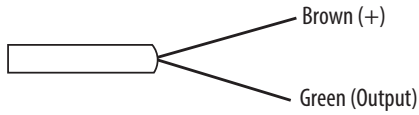
3-WIRE, 0-5 VDC/0-10 VDC

Wire Color Coding

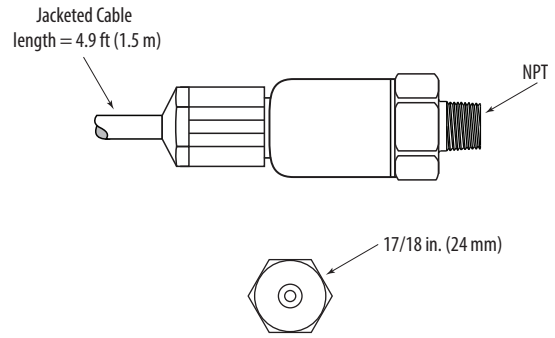


2-WIRE, 4 TO 20 MA

Wire Color Coding



DIMENSIONAL DRAWING



ORDERING INFORMATION

PG	Range	Wetted Material	Output
	03 = 0 to 15 psig 04 = 0 to 25 psig 05 = 0 to 50 psig 06 = 0 to 75 psig 07 = 0 to 100 psig 08 = 0 to 250 psig 09 = 0 to 500 psig	A = 316L stainless steel	M = 4 to 20 mA V = 0-10 Vdc J = 0-5 Vdc

Call factory for ranges not shown.

Example: PG [07] [A] [V]

ACCESSORIES

- Brass Snubber, 1/4" NPT (AA69)
- Stainless Steel Snubber, 1/4" NPT (AA70)
- Pigtail Steam Siphon (AA13)

