

# PG Series

## Gauge Pressure Sensors

### Product Overview

The PG Series pressure transducers are compatible with a variety of HVAC and industrial applications, such as refrigeration measurement, pneumatic pressure measurement, gas pressure measurement, pump inlet, and outlet fluid pressure. They are also compatible with extreme applications, such as aerospace and motor sports equipment.

Volt and mA output options ensure integration with building systems. A wide selection of pressure ranges offers application flexibility. The PG Series offers a stainless steel housing and all models are warranted for a period of five years.



### NOTICE

- This product is not intended for life or safety applications.
- Do not install this product in hazardous or classified locations.
- Read and understand the instructions before installing this product.
- Turn off all power supplying equipment before working on it.
- The installer is responsible for conformance to all applicable codes.

If this product is used in a manner not specified by the manufacturer, the protection provided by the product may be impaired. No responsibility is assumed by the manufacturer for any consequences arising out of the use of this material.

### Product Identification

	Range	Wetted Material	Output
PG	□	A	□
	03 = 0 to 15 psig 04 = 0 to 25 psig 05 = 0 to 50 psig 06 = 0 to 75 psig 07 = 0 to 100 psig 08 = 0 to 250 psig 09 = 0 to 500 psig	= 316L stainless steel	M = 4 to 20 mA V = 0 to 10 Vdc J = 0 to 5 Vdc

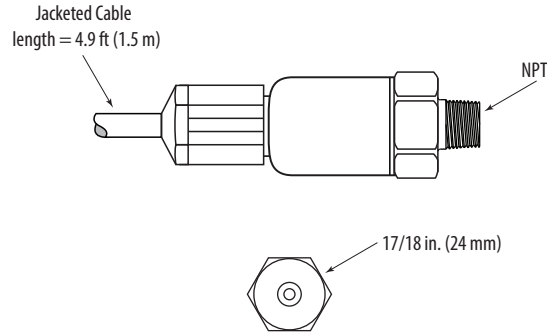
Contact factory for additional ranges not shown.

### Specifications

ELECTRICAL	
Supply Voltage	Class 2; 12 to 30 Vdc
Output	0 to 5 Vdc (3-wire), 0 to 10 Vdc (3-wire) or 4 to 20 mA (2-wire)
Load Impedance	Volt models >10 kΩ mA models ≤250 Ω with 12 Vdc min. supply voltage mA models ≤500 Ω with 17 Vdc min. supply voltage
Standard Connection	Cable gland 59" (1.5 m) length
Pressure Port	1/4" NPT Male
PERFORMANCE AT 25 °C (77 °F)	
Accuracy*	±0.5% FS
Media Compatibility	Fluids and gases compatible with 316L stainless steel
Pressure Cycles	>100 million cycles
Over Pressure	2.5x FS with no change in calibration
ENVIRONMENTAL	
Shock	100G, 11 msec, 1/2 sine
Vibration	20G peak, 20 to 2400 Hz
EMI/RFI Protection	Yes
Rating	IP66
Operating Temp Range	-30 to 120 °C (-22 to 248 °F)
Compensated Temp Range	0 to 55 °C (32 to 130 °F)
Total Error Band Over Temp	<±3% of FS
Humidity	0 to 95% RH non-condensing

\* Accuracy includes nonlinearity and hysteresis.

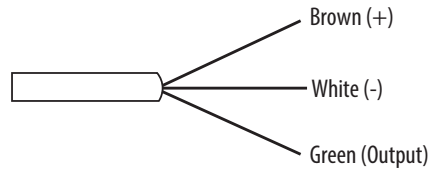
## Dimensions



## Installation

1. Insert the probe into the area to be measured.
2. Wire according to the diagrams below.

### 3-wire, 0 to 5 Vdc/0 to 10 Vdc



### 2-wire, 4 to 20 mA

