

## PH SERIES

Three Switch-Selectable Ranges with Test Mode



The PH Series pressure transducers are designed for steam, air, gas, and liquid pressure measurement in all media compatible with 17-4PH N8 stainless steel. They utilize a microprocessor controlled sensor profiled for exceptional accuracy and reliability. All models feature three switch-selectable ranges and a “test mode” to verify wiring and panel input scaling. A pushbutton and digital input terminal is used to automatically zero the output, and the microprocessor guards against accidental zero adjustment during operation. The field-selectable output, offering options of 0 to 5 V, 0 to 10 Vdc, or 4 to 20 mA, ensures excellent systems compatibility. Jumper controlled surge damping is provided on all models to reduce false alarms.

### SPECIFICATIONS

#### GENERAL

Input Power	Class 2; 12 to 30 Vdc/24 Vac
Output	3-wire transmitter; user selectable 4 to 20 mA (clipped & capped)/0-5 V/0-10 V*
Surge Damping	Electronic; 5-second averaging
Test Mode	Overrides output to full-scale (20 mA, 5 V, 10 V)
Zero Adjust	Pushbutton auto-zero and digital input (2-pos terminal block)
Status Indication	Dual-color LED: Green = Normal, Red = Overpressure, Flashing Red = Fault
Housing Material	White powder-coated steel

#### PRESSURE RANGES

0 to 100 psi	25/50/100 psig switch selectable
0 to 250 psi	62.5/125/250 psig switch selectable
0 to 500 psi	125/250/500 psig switch selectable
0 to 1000 psi	250/500/1000 psig switch selectable

#### OTHER SPECS

Product Operating Environment	-10 to 55 °C (-4 to 130 °F); 0 to 90% RH non-condensing
-------------------------------	---

### Reduces failures

Micromachined silicon sensor design...improves overpressure capacity and reduces failures

### High stability

Electronic surge damping for high stability

### Zero calibration

Pushbutton zero calibration...no trim pots to adjust, saves installation time

### Switch-selectable

Switch-selectable pressure ranges...fewer models to order and stock

### Pushbutton

Pushbutton and remote zero adjustment...maintain accuracy and prevent callbacks with automatic zero calibration

### Microprocessor

Microprocessor controlled signal conditioning (see graph)

### APPLICATIONS

- Chilled and hot water pump monitoring
- HVAC and industrial gas monitoring
- Instrument air pressure
- Hydraulic oil pressure

#### SENSOR

Accuracy	±1% F.S. Combined linearity, hysteresis, and repeatability
Long Term Stability	±0.25% per year
Media Compatibility	Media compatible with 17-4 PH stainless steel
Proof Pressure	Max. 2x F.S. range
Burst Pressure	Max. 5x F.S. range
Temp Compensated Range	0 to 50 °C (32 to 122 °F)
Media Temperature Limits	-20 to 85 °C (-4 to 185 °F); 0 to 90% RH non-condensing
Fittings	1/4" NPT male thread, 17-4 PH stainless

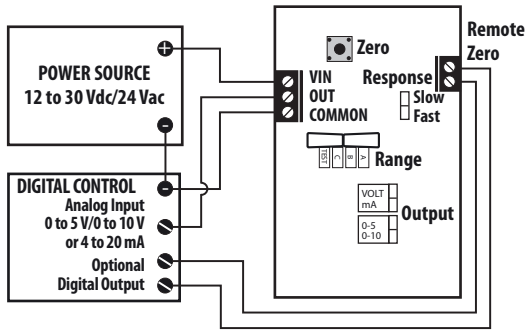
#### WARRANTY

Limited Warranty	5 years
------------------	---------

\*Minimum input voltage for 4 to 20 mA operation:  
250 Ω loop (1 to 5 V) = 12 Vdc  
500 Ω loop (2 to 10 V) = 15 Vdc

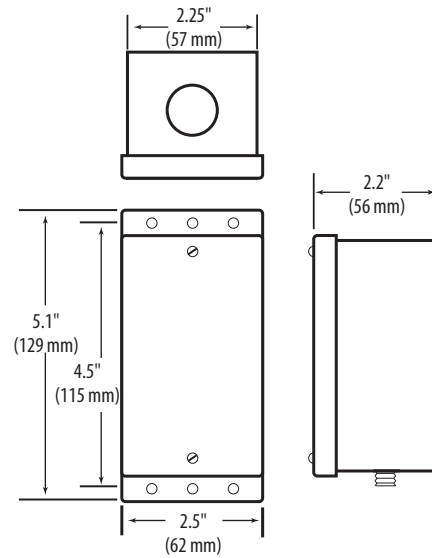


### WIRING DIAGRAM

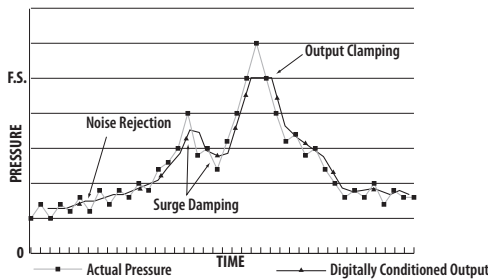


MODEL	RANGE		
	A	B	C
07	25	50	100
08	62.5	125	250
09	125	250	500
10	250	500	1000

### DIMENSIONAL DRAWING



### SIGNAL CONDITIONING DIAGRAM



### ORDERING INFORMATION

PH  NIST  Range   S

N = NIST  
X = None

07 = 0-100 psig  
08 = 0-250 psig  
09 = 0-500 psig  
10 = 0-1000 psig

= Standard

Example:  
PH  X  07  S

### ACCESSORIES

- Brass Snubber, 1/4" NPT (AA69)
- Stainless Steel Snubber, 1/4" NPT (AA70)
- Pigtail Steam Siphon (AA13)



AA13