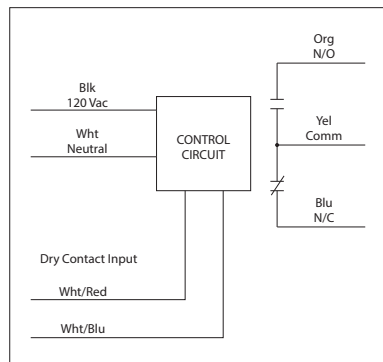


DRY CONTACT INPUT RELAYS

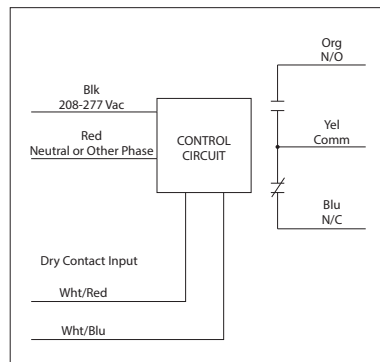
RIB01BDC

Enclosed Relay 20 Amp SPDT, Class 2 Dry Contact Input, 120 Vac Power Input



RIB02BDC

Enclosed Relay 20 Amp SPDT, Class 2 Dry Contact Input, 208-277 Vac Power Input



RELAYS

SPECIFICATIONS

- # Relays & Contact Type: One (1) SPDT Continuous Duty Coil
- Expected Relay Life: 10 million cycles minimum mechanical
- Operating Temperature: -30 to 140° F
- Humidity Range: 5 to 95% (noncondensing)
- Operate Time: 1.8 Seconds
- Relay Status: LED On = Activated
- Dimensions: 2.30" x 3.20" x 1.80" with .50" NPT Nipple
- Wires: 16", 600V Rated
- Approvals: UL Listed, UL916, C-UL
California State Fire Marshal
- Housing Rating: UL Accepted for Use in Plenum, NEMA 1
- Gold Flash: No
- Override Switch: No

- Contact Ratings:**
- 20 Amp Resistive @ 277 Vac
 - 1110 VA Pilot Duty @ 277 Vac
 - 770 VA Pilot Duty @ 120 Vac
 - 20 Amp Ballast @ 277 Vac
 - 16 Amp Electronic Ballast @ 277 Vac (N/O)
 - 10 Amp Tungsten @ 120 Vac (N/O)
 - 240 Watt Tungsten @ 120 Vac (N/C)
 - 2 HP @ 277 Vac
 - 1 HP @ 120 Vac

- Power Input:**
- 42 mA @ 120 Vac (RIB01BDC)
 - 62 mA @ 208-277 Vac (RIB02BDC)

- Notes:**
- Dry Contact Input Operation:
Close White/Red wire to White/Blue wire to activate relay. If more than one dry contact RIB® shares a single dry contact input, White/Blue must be common.