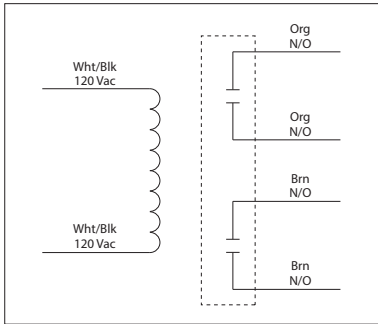


**30 AMP POWER CONTROL RELAYS**

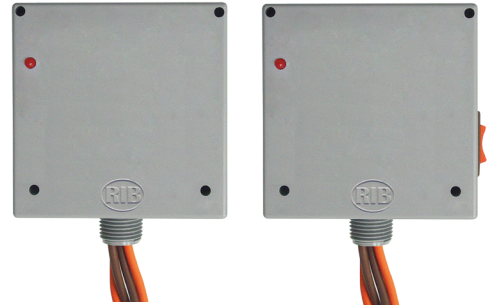
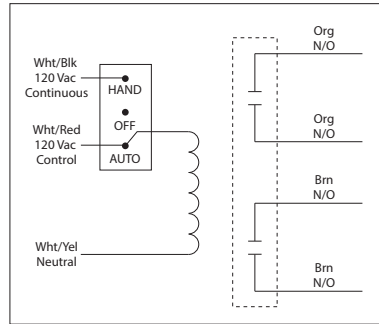
**RIB01P30**

Enclosed Relay 30 Amp DPST-N/O with 120 Vac Coil



**RIB01P30-S**

Enclosed Relay 30 Amp DPST-N/O + Coil Side Override with 120 Vac Coil



RELAYS

**SPECIFICATIONS**

- # Relays & Contact Type: One (1) DPST Continuous Duty Coil
- Expected Relay Life: 10 million cycles minimum mechanical
- Operating Temperature: -30 to 140° F
- Humidity Range: 5 to 95% (noncondensing)
- Operate Time: 18ms
- Relay Status: LED On = Activated
- Dimensions: 4.00" x 4.00" x 1.80" with .50" NPT Nipple
- Wires: 16", 600V Rated
- Approvals: UL Listed, UL916, UL864, C-UL California State Fire Marshal
- Housing Rating: UL Accepted for Use in Plenum, NEMA 1
- Gold Flash: Yes
- Override Switch: No (RIB01P30)  
Coil Side (RIB01P30-S)

- Contact Ratings:
  - 30 Amp Resistive @ 300 Vac
  - 25 Amp Resistive @ 28 Vdc
  - 20 Amp Ballast @ 277-480 Vac
  - Not rated for Electronic Ballast
  - 15 Amp Resistive @ 600 Vac
  - 770 VA Pilot Duty @ 120 Vac
  - 1158 VA Pilot Duty @ 240 Vac
  - 1110 VA Pilot Duty @ 277 Vac
  - 1640 VA Pilot Duty @ 480 Vac
  - Heavy Pilot Duty @ 600 Vac
  - 3 HP @ 480-600 Vac
  - 2 HP @ 240-277 Vac
  - 1 HP @ 120 Vac

- Coil Current: 105 mA @ 120 Vac

- Coil Voltage Input: 120 Vac ; 50-60 Hz  
Drop Out = 35 Vac  
Pull In = 85 Vac

- Control Input: (RIB01P30-S)  
Wht/Blk = 120 Vac Continuous  
Wht/Red = 120 Vac Control  
Wht/Yel = Neutral

- Notes:
  - Order Both Poles Normally Closed by adding "-NC" to end of model number
  - Order Pole 1 Normally Open and Pole 2 Normally Closed by adding "-NONC" to end of model number