

BALDOR® • RELIANCE

Product Information Packet

RL1310A

1HP,1725RPM,1PH,60HZ,56H,3520L,OPEN,F1,N

Part Detail							
Revision:	C	Status:	PRD/A	Change #:		Proprietary:	No
Type:	AC	Elec. Spec:	35WGL468	CD Diagram:	CD0052	Mfg Plant:	
Mech. Spec:	35F391	Layout:	35LYF391	Poles:	04	Created Date:	12-22-2015
Base:	RS	Eff. Date:	04-27-2017	Leads:	6#18,1#14 #1TH		

Specs			
Catalog Number:	RL1310A	Inverter Code:	Not Inverter
Enclosure:	OPEN	KVA Code:	F
Frame:	56H	Lifting Lugs:	No Lifting Lugs
Frame Material:	Steel	Locked Bearing Indicator:	No Locked Bearing
Output @ Frequency:	1.000 HP @ 60 HZ	Motor Lead Quantity/Wire Size:	6 @ 18 AWG
Synchronous Speed @ Frequency:	1800 RPM @ 60 HZ	Motor Lead Exit:	Terminal Panel
Voltage @ Frequency:	115.0 V @ 60 HZ	Motor Lead Termination:	Flying Leads
	230.0 V @ 60 HZ	Motor Type:	3520L
XP Class and Group:	None	Mounting Arrangement:	F1
XP Division:	Not Applicable	Power Factor:	70
Agency Approvals:	UR	Product Family:	General Purpose
	CSA	Pulley End Bearing Type:	Ball
Auxillary Box:	No Auxillary Box	Pulley Face Code:	Resilient Mount
Auxillary Box Lead Termination:	None	Pulley Shaft Indicator:	Standard
Base Indicator:	Resilient	Rodent Screen:	None
Bearing Grease Type:	Polyrex EM (-20F +300F)	RoHS Status:	ROHS COMPLIANT
Blower:	None	Shaft Extension Location:	Pulley End
Current @ Voltage:	13.000 A @ 115.0 V	Shaft Ground Indicator:	No Shaft Grounding

	6.500 A @ 230.0 V	Shaft Rotation:	Reversible
Design Code:	N	Shaft Slinger Indicator:	No Slinger
Drip Cover:	No Drip Cover	Speed Code:	Single Speed
Duty Rating:	CONT	Motor Standards:	NEMA
Electrically Isolated Bearing:	Not Electrically Isolated	Starting Method:	Direct on line
Feedback Device:	NO FEEDBACK	Thermal Device - Bearing:	None
Front Face Code:	Terminal Panel	Thermal Device - Winding:	None
Front Shaft Indicator:	None	Vibration Sensor Indicator:	No Vibration Sensor
Heater Indicator:	No Heater	Winding Thermal 1:	Automatic Thermal Overload
Insulation Class:	F	Winding Thermal 1 Location:	EP
		Winding Thermal 2:	None

Nameplate NP1257L	
CAT.NO.	RL1310A
SPEC.	35F391L468G1
HP	1
VOLTS	115/230
AMP	13/6.5
RPM	1725
FRAME	56H
HZ	60
PH	1
SER.F.	1.15
CODE	F
DES	N
CL	F
NEMA-NOM-EFF	68
PF	70
RATING	40C AMB-CONT
CC	USABLE AT 208V
DE	6203
ODE	6203
ENCL	OPEN
SN	

Parts List		
Part Number	Description	Quantity
SA325714	SA 35F391L468G1	1.000 EA
RA313593	RA 35F391L468G1	1.000 EA
EC4400A03	ELEC CAP 115V 1.8 X 3.3 USE EC1400A03 A	1.000 EA
35CB4500SP	TERMINAL BOX LID STAMPED	1.000 EA
51XW0832A07	8-32 X .44, TAPTITE II, HEX WSHR SLTD SE	2.000 EA
11XT0832G06	8-32 X 3/8 TY 23 TAPPING	1.000 EA
LD5000A01	LEAD ASSY, ML1400DF14 7" RING TRM EA END	1.000 EA
51XW1032A06	10-32 X .38, TAPTITE II, HEX WSHR SLTD S	2.000 EA
HW1003A10	WASHER, #10 EX TH LK, ZN X	2.000 EA
35EP3202A01	STD OPEN FR EP - RESILIENT MTD	1.000 EA
51XW0832A07	8-32 X .44, TAPTITE II, HEX WSHR SLTD SE	3.000 EA
RM1000A02	CUSHION RING, MODEL 35 SAME AS A07	1.000 EA
35CB4802A02SP	CAPACITOR COVER, STAMPED X	1.000 EA
HA6005A01	CLAMP, BASE	2.000 EA
12XN1032A18	10-32 X 1 1/4 HEX HD SLTD	1.000 EA
XY1032A02	10-32 HEX NUT DIRECTIONAL SERRATION	1.000 EA
WD4100A01	DP-875 HEYCO PLUG OR 62MP0875 MICRO PLAS	1.000 EA
51XB1016A05	10-16X5/16HX WA SL SR TYB (F/S)	2.000 EA
HW5100A03	WAVY WASHER (W1543-017)	1.000 EA
35EP3203A01	STD PU EP, OPEN RESIL MTG	1.000 EA
RM1000A02	CUSHION RING, MODEL 35 SAME AS A07	1.000 EA
HA6005A01	CLAMP, BASE	2.000 EA
12XN1032A18	10-32 X 1 1/4 HEX HD SLTD	1.000 EA
XY1032A02	10-32 HEX NUT DIRECTIONAL SERRATION	1.000 EA

Parts List (continued)		
Part Number	Description	Quantity
XY1032A02	10-32 HEX NUT DIRECTIONAL SERRATION	4.000 EA
HW2501D13	KEY, 3/16 SQ X 1.375	1.000 EA
HA7000A04	KEY RETAINER 0.625 DIA SHAFTS	1.000 EA
85XU0407S04	4X1/4 U DRIVE PIN STAINLESS	2.000 EA
MJ1000A02	GREASE, POLYREX EM EXXON (USe 4824-15A)	0.050 LB
MG1000G27	MED CHARCOAL METALLIC GREY 400-0096	0.017 GA
SP5066A01	35 TERM PANEL SWITCH W/E-BLK, 8-RED	1.000 EA
HA3100A15	THRUBOLT 10-32 X 8.375	4.000 EA
35BA4002A01	RESILIENT BASE, STAMPED	1.000 EA
LB1118	LABEL,WARNING (ROLL LABEL)	1.000 EA
LC0052	CONNECTION LABEL	1.000 EA
NP1257L	ALUM UL CSA CC THERMAL REV MTG	1.000 EA
35PA1066	PKG GRP, PRINT PK1008A06	1.000 EA
MN416A01	TAG-INSTAL-MAINT no wire (1100/bx) 11/14	1.000 EA

AC Induction Motor Performance Data

Record # 61963 - Typical performance - not guaranteed values

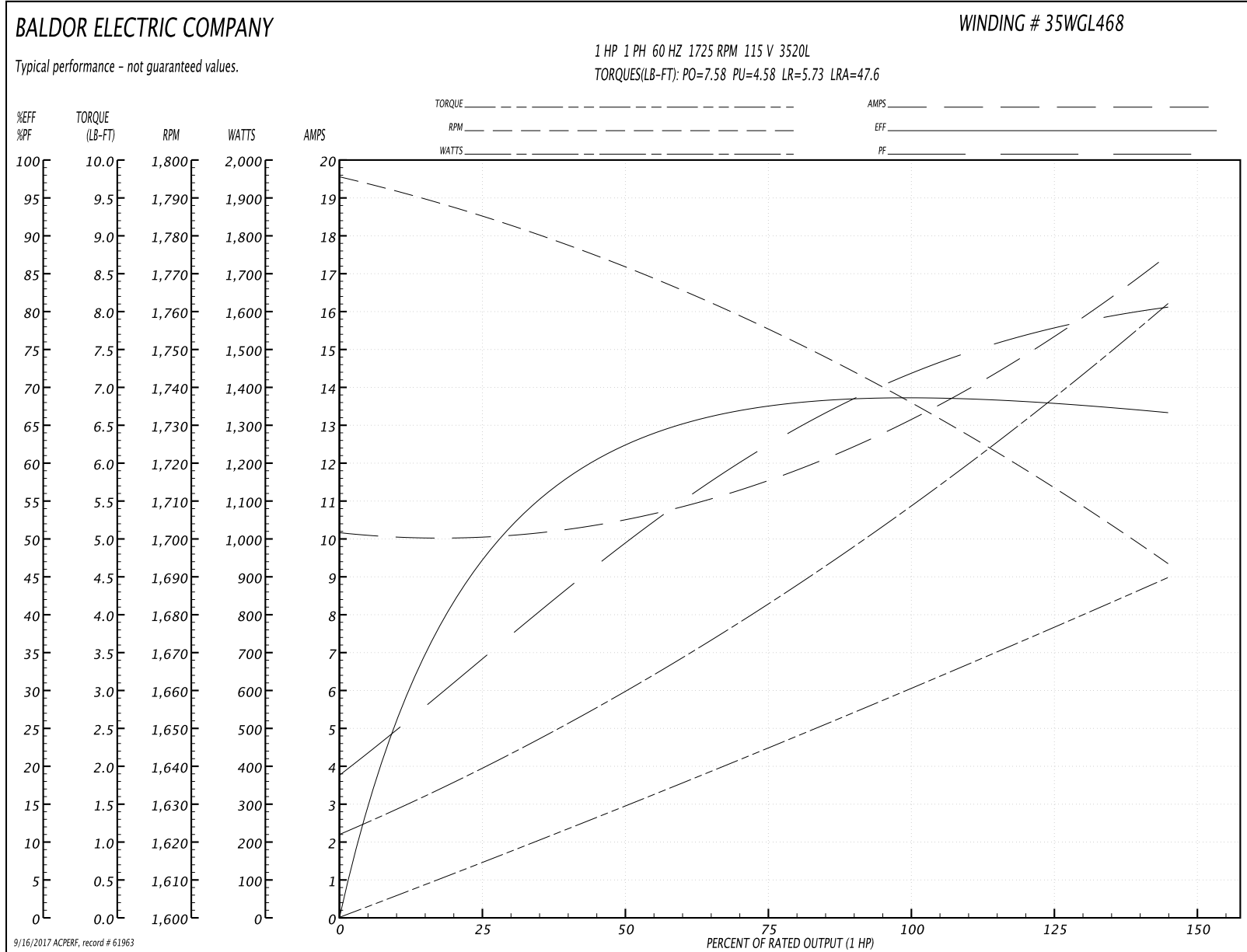
Winding: 35WGL468-R002	Type: 3520L	Enclosure: OPEN
-------------------------------	--------------------	------------------------

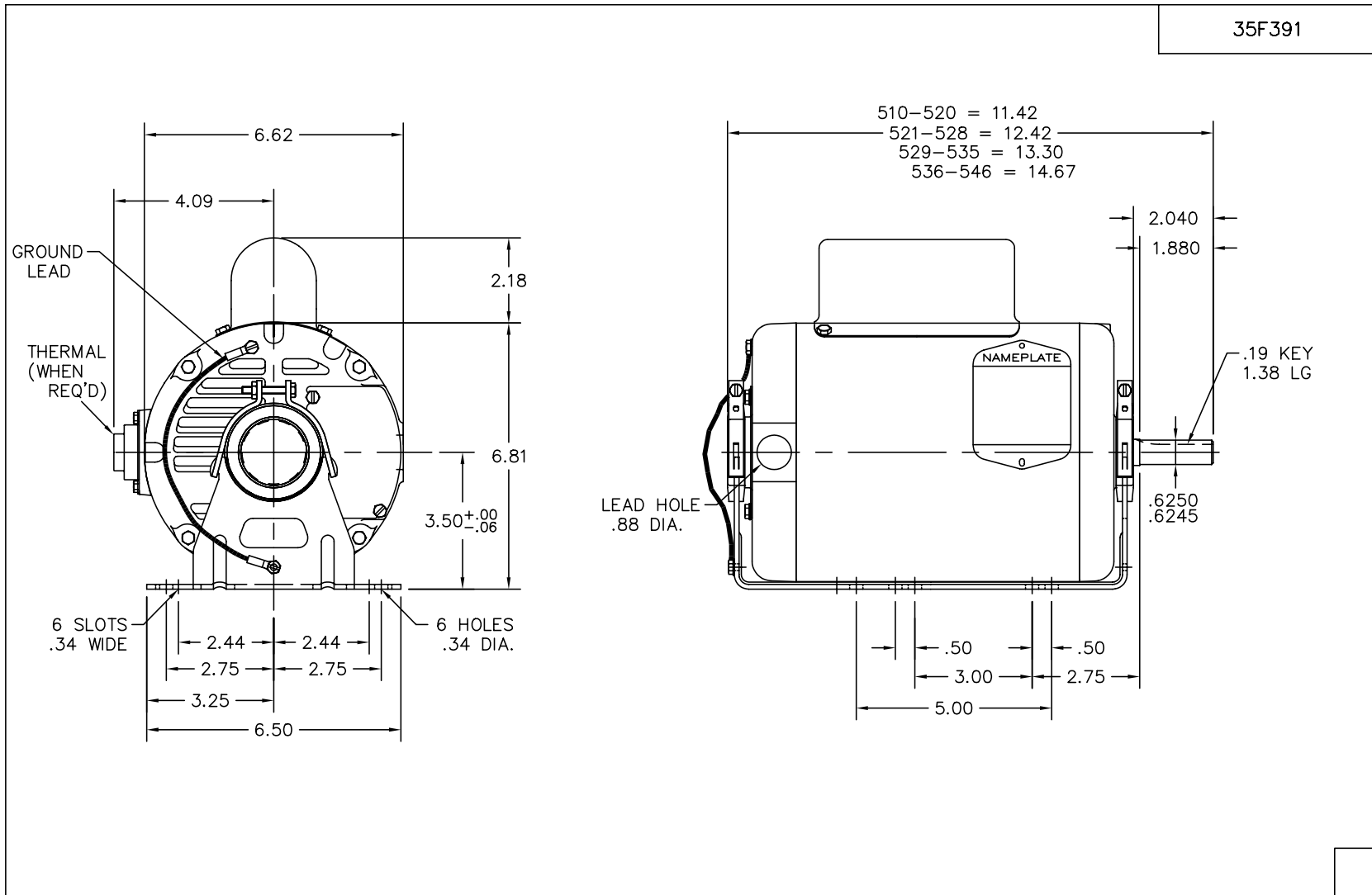
Nameplate Data				115 V, 60 Hz: Low Voltage Connection	
Rated Output (HP)	1			Full Load Torque	3 LB-FT
Volts	115/230			Start Configuration	direct on line
Full Load Amps	13/6.5			Breakdown Torque	7.58 LB-FT
R.P.M.	1725			Pull-up Torque	4.58 LB-FT
Hz	60	Phase	1	Locked-rotor Torque	5.73 LB-FT
NEMA Design Code	N	KVA Code	F	Starting Current	47.6 A
Service Factor (S.F.)	1.15			No-load Current	10.1 A
NEMA Nom. Eff.	68	Power Factor	70	Line-line Res. @ 25°C	0.697 Ω A Ph 1.82 Ω B Ph
Rating - Duty	40C AMB-CONT			Temp. Rise @ Rated Load	58°C
S.F. Amps				Temp. Rise @ S.F. Load	66°C
				Locked-rotor Power Factor	89
				Rotor inertia	0.119 LB-FT ²

Load Characteristics 115 V, 60 Hz, 1 HP

% of Rated Load	25	50	75	100	125	150	S.F.
Power Factor	35	51	62	71	77	81	75
Efficiency	46.5	61.2	67.3	69.7	68.6	66.1	69
Speed	1782	1770	1755	1739	1718	1691	1726
Line amperes	10.1	10.6	11.6	13	15	17.6	14.2

Performance Graph at 115V, 60Hz, 1.0HP Typical performance - Not guaranteed values



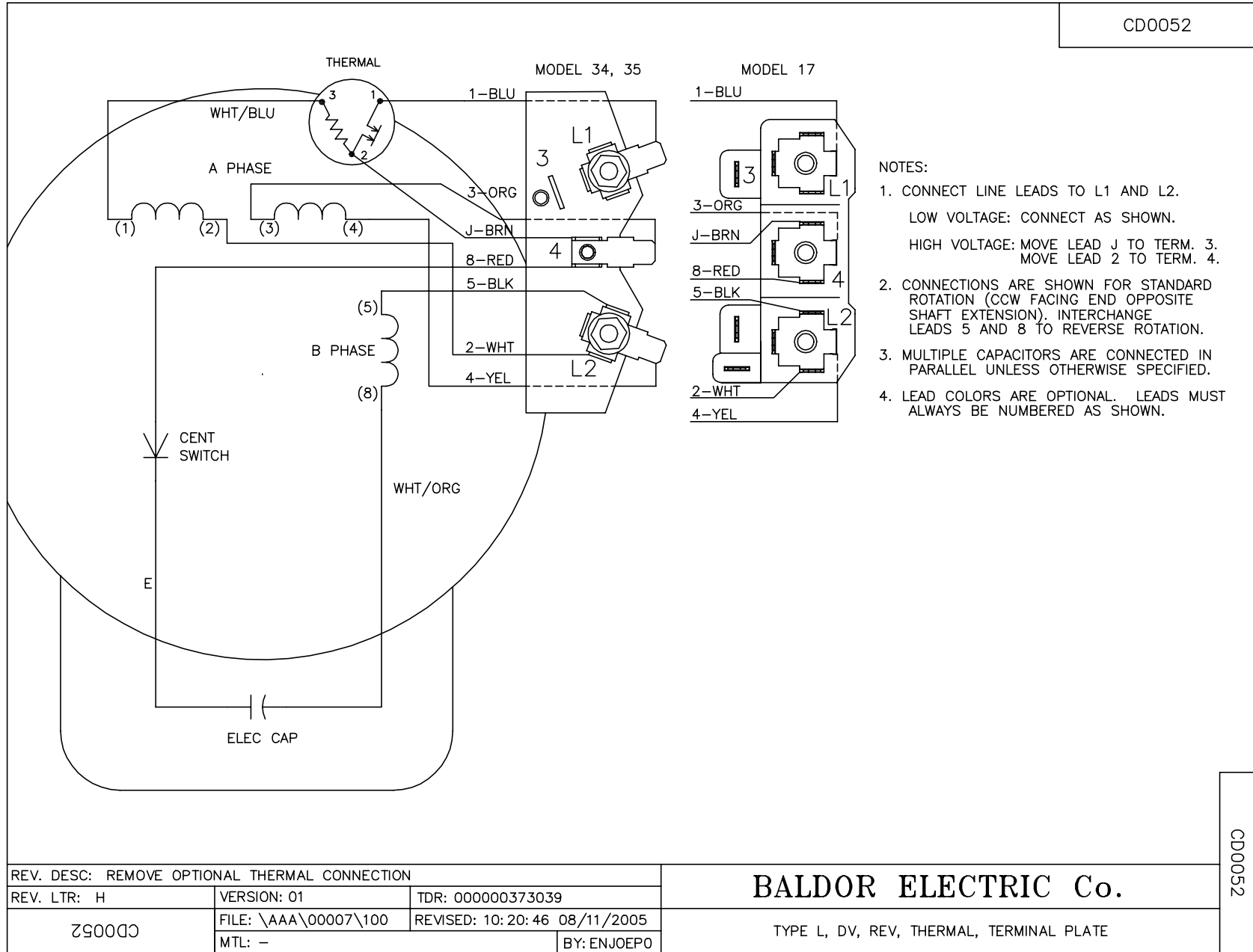


35F391

CUST. NAME		CUST. P.O.		CERTIFIED BY		MODEL		INSUL		AMB							
H.P.		MTG		TYPE		R.P.M.		VOLTS		ENCL		PHASE		FREQ		FRAME	
REMARKS:												BALDOR ELECTRIC Co.					
REV:	B	UPDATED & LOADED TO ACAD															
169393		SCALE: .3	BY: JKH	REVISED: 05/31/96		RESIL MTD 56 OPEN 35L W/TERM PLATE, TWO SPEED											
		FILE: AAA00031709		TDR: 0098133													

35F391

CD0052



CD0052

REV. DESC: REMOVE OPTIONAL THERMAL CONNECTION		
REV. LTR: H	VERSION: 01	TDR: 000000373039
Z90052	FILE: \AAA\00007\100	REVISED: 10:20:46 08/11/2005
	MTL: -	BY: ENJOEPO

BALDOR ELECTRIC Co.

TYPE L, DV, REV, THERMAL, TERMINAL PLATE