

Service Bulletin

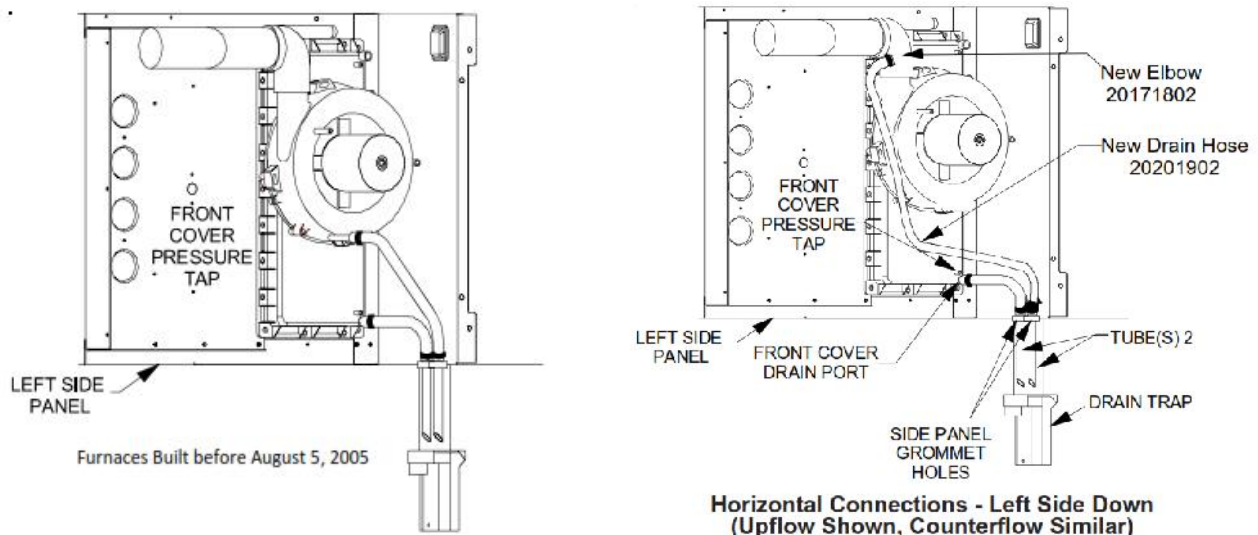
SF-070

DATE: March 23, 2017
TO: All Service and Parts Managers
SUBJECT: Drain Port on Inducer

On 90% furnaces installed in the **Horizontal Left Position** manufactured before August 5, 2005, the vent condensate was removed through the drain port on the inducer housing. The current replacement inducer does not have the drain port on the inducer housing, so if you have to replace the inducer on furnaces manufactured before August 5, 2005 you will need to use the new drain elbow Part # 20171802 and drain hose Part # 20201902 to remove the condensate from the vent. Refer to instructions and illustration below.

Instructions:

1. Loosen the hose clamps and remove the old drain elbow.
2. Add the new drain elbow Part # 20171802S and reuse the old hose clamps and tighten.
3. Remove the plug from the drain port in the center of the drain elbow, add the drain hose Part # 20201902 and tighten field supplied hose clamp.
4. Attach the drain hose to the tube at the drain trap and tighten the field supplied clamp.
5. Refer to illustrations below.



For furnaces using the alternate flue connection in the horizontal left position, you can use the RF000142 kit and follow the instruction provided in the kit.

Technical Services Department • 1810 Wilson Parkway • Fayetteville, TN 37334

Main: 888.593.9988 • Service Fax: 713.316.5541

Amana® is a registered trademark of Maytag Corporation or its related companies and is used under license to Goodman Company, L.P., Houston, TX. All rights reserved.