



www.Source1Parts.com

TG9S SERIES 95% SINGLE STAGE MULTI-POSITION 33" NATURAL GAS FURNACES (STYLE A)

HVAC SERVICE PARTS

Supersedes: 035-22026-001 Rev. Q (0417)

035-22026-001 Rev. R (0617)

1 of 6

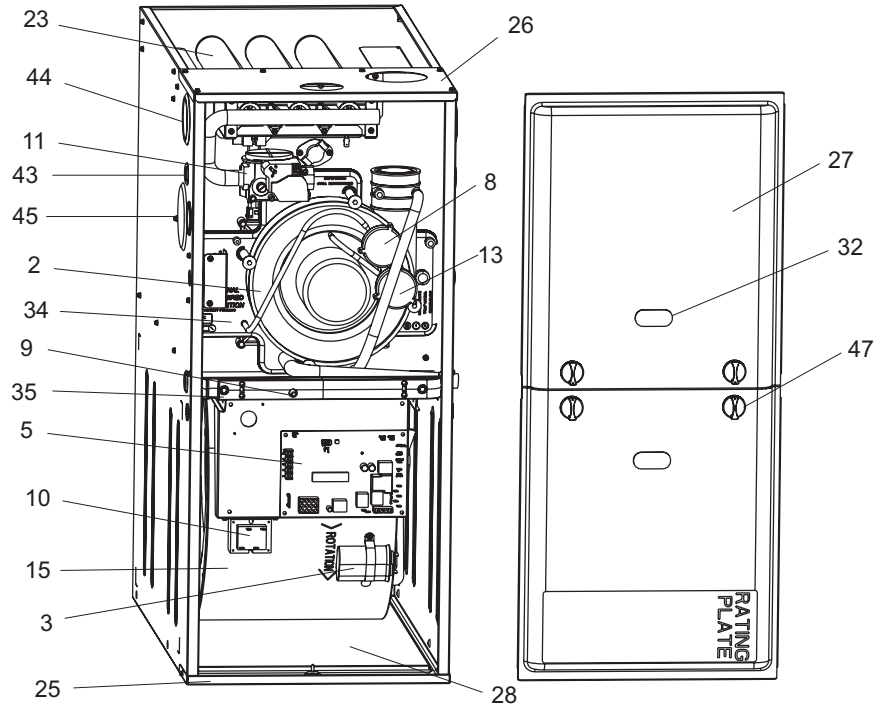


Figure 1: 95% SINGLE STAGE MULTI-POSITION NATURAL GAS FURNACES

FIG	ITEM	DESCRIPTION	TG9S026A08MP11A	TG9S040A08MP11A	TG9S060A10MP11A	TG9S060B12MP11A
			(2 BURNER)	(2 BURNER)	(3 BURNER)	(3 BURNER)
MOTOR						
2	1	MOTOR, DIRECT DRIVE BLOWER	S1-02435734000	S1-02435735000	S1-02435647000	S1-02435647000
1,2	2	BLOWER, COMBUSTION	S1-32647781000	S1-32642583000	S1-32642583000	S1-32642583000
ELECTRICAL						
1	3	CAPACITOR, RUN (7.5MFD/370V)	S1-02435762000	S1-02435762000	---	---
		CAPACITOR, RUN (10MFD/370V)	---	---	S1-02435763000	S1-02435763000
3	4	SWITCH, LIMIT(250 Deg Man Reset) (2 ea.)	S1-02541318000	S1-02541318000	S1-02541318000	S1-02541318000
1	5	CONTROL, FURNACE	S1-33103010000	S1-33102956000	S1-33102956000	S1-33102956000
3	6	IGNITER	S1-02545231000	S1-02532625000	S1-02532625000	S1-02532625000
3	7	SENSOR, FLAME	S1-02537499000	S1-02537499000	S1-02537499000	S1-02537499000
1,2	8	SWITCH, PRESSURE	S1-02439706000	S1-02435812000	S1-02435812000	S1-02435812000
2	9	SWITCH, DOOR	S1-02435738000	S1-02435738000	S1-02435738000	S1-02435738000
1	10	TRANSFORMER	S1-2940A3541	S1-2940A3541	S1-2940A3541	S1-2940A3541
1,3	11	VALVE, GAS	S1-32544123000	S1-32537426000	S1-32537426000	S1-32537426000
2	12	CONTROL, TEMPERATURE	S1-02541322000	S1-02541322000	S1-02541321000	S1-02541321000
1	13	SWITCH, PRESSURE	S1-02435780000	S1-02435780000	S1-02435777000	S1-02435777000
	14					
AIR MOVING						
1,2	15	HOUSING, BLOWER	S1-37327824001	S1-37327824001	S1-37327824001	S1-37327824001
2	16	WHEEL, BLOWER	S1-02619654709	S1-02619654709	S1-02619654709	S1-02619654709
FABRICATED PARTS						
2	17	RESTRICTOR, COMBUSTION BLOWER	---	S1-02815858000	S1-02815538000	S1-02815538000
3	18	BURNER, MAIN GAS	S1-02920482000	S1-02920482000	S1-02920482000	S1-02920482000
3	19	BRACKET, IGNITER	---	S1-07317403000	S1-07317403000	S1-07317403000
2	20	SHELF, BLOWER	S1-07327823001	S1-07327823001	S1-07327823001	S1-07327823002

NOTE: *Not Shown

New replacement parts shown in **bold** face type at the first printing of parts list dated 6/17.

Major components and suggested stocking items are shown with shaded item number.

"<" Across from row indicates a change in that row.

--- Not applicable to specified model.

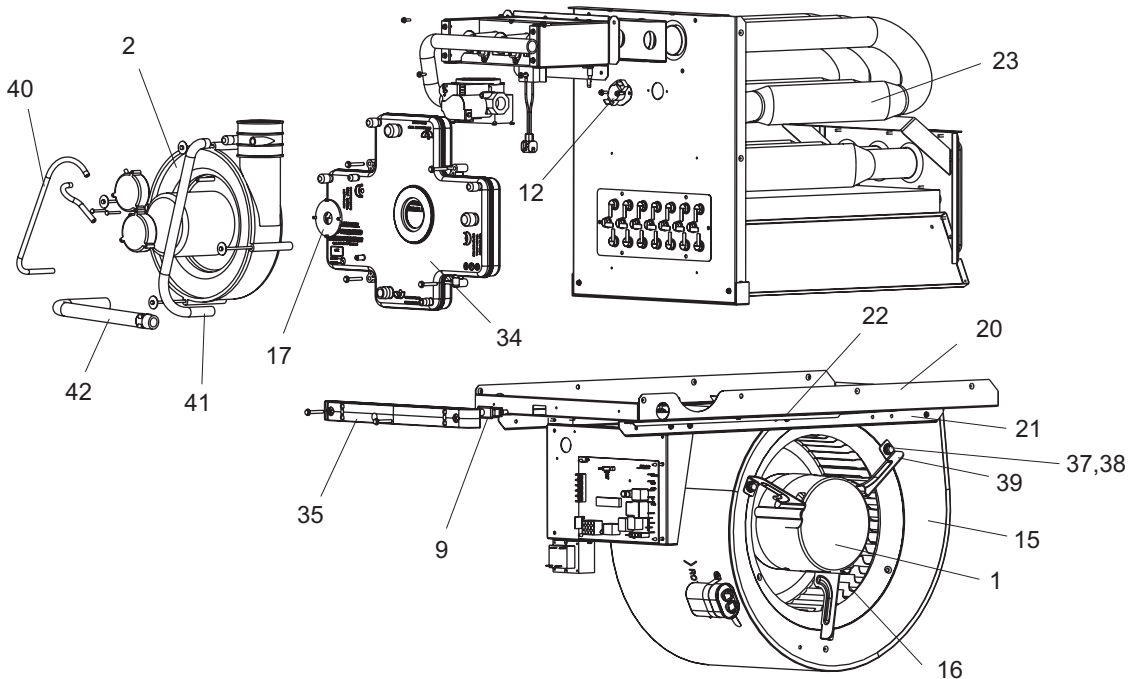


Figure 2: 95% SINGLE STAGE MULTI-POSTION NATURAL GAS FURNACES

FIG	ITEM	DESCRIPTION	TG9S026A08MP11A	TG9S040A08MP11A	TG9S060A10MP11A	TG9S060B12MP11A
			(2 BURNER)	(2 BURNER)	(3 BURNER)	(3 BURNER)
FABRICATED PARTS (continued)						
2	21	RAIL, BLOWER (2 Req'd)	S1-07327825001	S1-07327825001	S1-07327825001	S1-07327825001
2	22	BRACKET, BLOWER TRACK (2 Req'd)	S1-07327825002	S1-07327825002	S1-07327825002	S1-07327825002
2	23	HEAT EXCHANGER ASS'Y	S1-37327843001	S1-37327843001	S1-37327843002	S1-37327843003
3	24	MANIFOLD, GAS	S1-02927642000	S1-02924466000	S1-02924467000	S1-02924467000
1	25	PAN, BOTTOM	S1-07327841001	S1-07327841001	S1-07327841001	S1-07327841002
1	26	PANEL, TOP	S1-07328742011	S1-07327842001	S1-07327842001	S1-07327842002
1	27	Panel, Door (2 Req'd)	---	S1-37327822001	S1-37327822001	S1-37327822002
1	27A	PANEL, DOOR (Upper)	S1-37339423001	---	---	---
1	27B	PANEL, DOOR (Lower)	S1-07327822001	---	---	---
1	28	PANEL, BLOCKOFF	S1-07327827001	S1-07327827001	S1-07327827001	S1-07327827002
	29					
	30					
MISCELLANEOUS						
3	31	ORIFICE, BURNER (Natural #51)	S1-02926832000	---	---	---
		ORIFICE, BURNER (Natural #45)	S1-02921182045	S1-02921182045	S1-02921182045	S1-02921182045
1	32	SIGHT GLASS, OVAL (2 Req'd)	S1-02538899000	S1-02538899000	S1-02538899000	S1-02538899000
*	33	GASKET, FOAM (Door) (per ft.)	S1-02817061001	S1-02815517000	S1-02815517000	S1-02815517000
1,2	34	PAN, CONDENSATE	S1-32817395000	S1-32816424000	S1-32816447000	S1-32816447000
2	35	BRACKET, DOOR	S1-02815512000	S1-02815512000	S1-02815512000	S1-02815513000
*	36	HARNESS, WIRING	S1-02541335000	S1-02541335000	S1-02541334000	S1-02541334000
2	37	FERRULE (3 Req'd)	S1-02320541000	S1-02320541000	S1-02320541000	S1-02320541000
2	38	GROMMET (3 Req'd)	S1-02814740000	S1-02814740000	S1-02814740000	S1-02814740000
2	39	MOTOR MOUNT (Includes item 37 & 38)	S1-37319831002	S1-37319831002	S1-37319831002	S1-37319831002
2	40	TUBING, EPDM	S1-02816427000	S1-02816427000	S1-02816427000	S1-02816427000
2	41	HOSE, RAIN GUTTER	S1-02815539000	S1-02815539000	S1-02815539000	S1-02815539000
2	42	HOSE, CONDENSATE	S1-02815540000	S1-02815540000	S1-02815540000	S1-02815540000
1	43	PLUG, SEAL, 7/8"	S1-02815853000	S1-02815853000	S1-02815853000	S1-02815853000
1	44	PLUG, SEAL, 2-3/8"	S1-02815854000	S1-02815854000	S1-02815854000	S1-02815854000
1	45	PLUG, VENT PIPE	S1-02924406000	S1-02924406000	S1-02924406000	S1-02924406000
*	46	BAG, PARTS	S1-02924480000	S1-02924480000	S1-02924480000	S1-02924480000
1	47	KNOB, QUARTER TURN (4 Req'd)	S1-02924485000	S1-02924485000	S1-02924485000	S1-02924485000
*	48	DIAGRAM, WIRING	1040042	364665	364665	364665

NOTE: *Not Shown
 New replacement parts shown in **bold** face type at the first printing of parts list dated 6/17.
 Major components and suggested stocking items are shown with shaded item number.
 "<" Across from row indicates a change in that row.
 --- Not applicable to specified model.

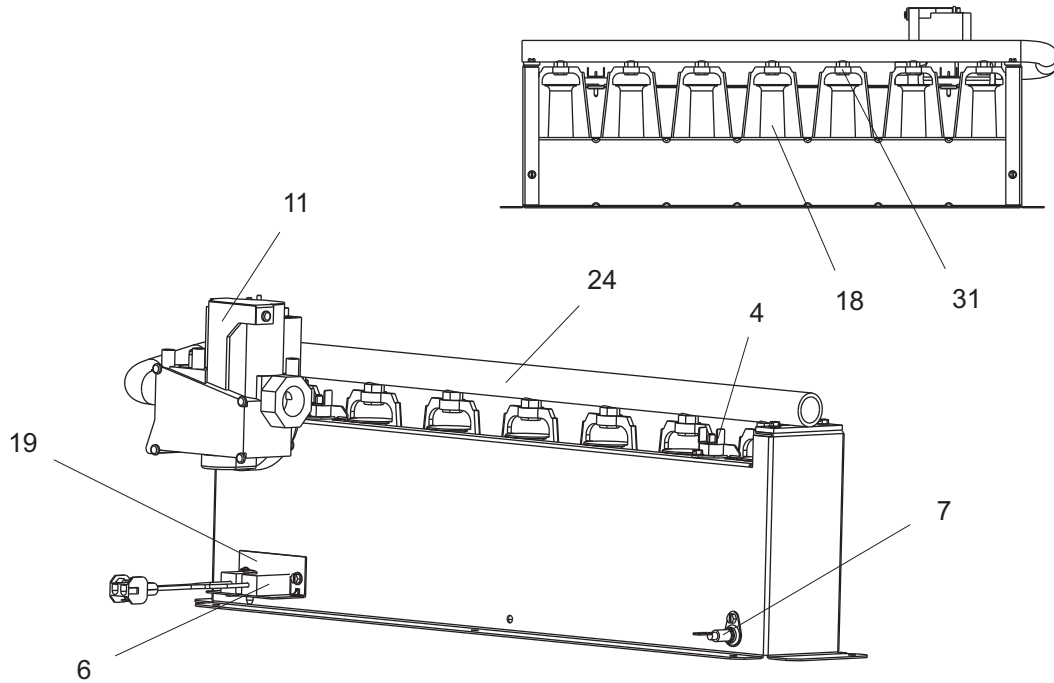


Figure 3: GAS CONTROLS

FIG	ITEM	DESCRIPTION	TG9S080B12MP11A	TG9S080C16MP11A	TG9S080C22MP11A	TG9S100C16MP11A
			(4 BURNER)	(4 BURNER)	(4 BURNER)	(5 BURNER)
MOTOR						
2	1	MOTOR, DIRECT DRIVE BLOWER	S1-02435647000	S1-02432055000	S1-02432056000	S1-02432055000
1,2	2	BLOWER, COMBUSTION	S1-32642583000	S1-32642583000	S1-32642583000	S1-32642583000
ELECTRICAL						
1	3	CAPACITOR, RUN (10MFD/370V)	S1-02435763000	S1-02435763000	---	S1-02435763000
		CAPACITOR, RUN (15MFD/370V)	---	---	S1-02435764000	---
3	4	SWITCH, LIMIT (250 Deg, Man Reset) (2 ea.)	S1-02541318000	S1-02541318000	S1-02541318000	S1-02541318000
2	5	CONTROL, FURNACE	S1-33102956000	S1-33102956000	S1-33102956000	S1-33102956000
3	6	IGNITER	S1-02532625000	S1-02532625000	S1-02532625000	S1-02532625000
3	7	SENSOR, FLAME	S1-02537499000	S1-02537499000	S1-02537499000	S1-02537499000
1	8	SWITCH, PRESSURE	S1-02435812000	S1-02435812000	S1-02435812000	S1-02435776000
2	9	SWITCH, DOOR	S1-02435738000	S1-02435738000	S1-02435738000	S1-02435738000
1	10	TRANSFORMER	S1-2940A3541	S1-2940A3541	S1-2940A3541	S1-2940A3541
1,3	11	VALVE, GAS	S1-32537426000	S1-32537426000	S1-32537426000	S1-32537426000
2	12	CONTROL, TEMPERATURE	S1-02541321000	S1-02541321000	S1-02541321000	S1-02541321000
1	13	SWITCH, PRESSURE	S1-0243578000	S1-02435780000	S1-02435780000	S1-02435779000
	14					
AIR MOVING						
1,2	15	HOUSING, BLOWER	S1-37327824001	S1-37327824002	S1-37327824003	S1-37327824002
2	16	WHEEL, BLOWER	S1-02619654709	S1-02619654014	S1-02638510000	S1-02619654014

NOTE: *Not Shown
 New replacement parts shown in **bold** face type at the first printing of parts list dated 6/17.
 Major components and suggested stocking items are shown with shaded item number.
 “<” Across from row indicates a change in that row.
 --- Not applicable to specified model.



FIG	ITEM	DESCRIPTION	TG9S080B12MP11A	TG9S080C16MP11A	TG9S080C22MP11A	TG9S100C16MP11A
			(4 BURNER)	(4 BURNER)	(4 BURNER)	(5 BURNER)
FABRICATED PARTS						
2	17	RESTRICTOR, COMBUSTION BLOWER	S1-02815859000	S1-02815859000	S1-02815859000	S1-02815860000
3	18	BURNER, MAIN GAS	S1-02920482000	S1-02920482000	S1-02920482000	S1-02920482000
3	19	BRACKET, IGNITER	S1-07317403000	S1-07317403000	S1-07317403000	S1-07317403000
2	20	SHELF, BLOWER	S1-07327823002	S1-07327823003	S1-07327823004	S1-07327823003
2	21	RAIL, BLOWER (2 Req'd)	S1-07327825001	S1-07327825001	S1-07327825001	S1-07327825001
2	22	BRACKET, BLOWER TRACK (2 Req'd)	S1-07327825002	S1-07327825002	S1-07327825002	S1-07327825002
2	23	HEAT EXCHANGER ASS'Y	S1-37327843004	S1-37327843005	S1-37327843006	S1-37327843007
3	24	MANIFOLD, GAS	S1-02924468000	S1-02924468000	S1-02924468000	S1-02924469000
1	25	PAN, BOTTOM	S1-07327841002	S1-07327841003	S1-07327841003	S1-07327841003
1	26	PANEL, TOP	S1-07327842003	S1-07327842004	S1-07327842004	S1-07327842005
1	27	PANEL, DOOR (2 Req'd)	S1-37327822002	S1-37327822003	S1-37327822003	S1-37327822003
1	28	PANEL, BLOCKOFF	S1-07327827002	S1-07327827003	S1-07327827003	S1-07327827003
	29					
	30					
MISCELLANEOUS						
3	31	ORIFICE, BURNER (Natural #45)	S1-02921182045	S1-02921182045	S1-02921182045	S1-02921182045
1	32	SIGHT GLASS, OVAL (2 Req'd)	S1-02538899000	S1-02538899000	S1-02538899000	S1-02538899000
*	33	GASKET, FOAM (Door) (per ft.)	S1-02815517000	S1-02815517000	S1-02815517000	S1-02815517000
1,2	34	PAN, CONDENSATE	S1-32816448000	S1-32816448000	S1-32816448000	S1-32816449000
2	35	BRACKET, DOOR	S1-02815513000	S1-02815514000	S1-02815514000	S1-02815514000
*	36	HARNESS, WIRING	S1-02541334000	S1-02541333000	S1-02541333000	S1-02541333000
2	37	FERRULE (3 Req'd)	S1-02320541000	S1-02320541000	S1-02320541000	S1-02320541000
2	38	GROMMET (3 Req'd)	S1-02814740000	S1-02814740000	S1-02814740000	S1-02814740000
2	39	MOTOR MOUNT (Includes item 37 & 38)	S1-37319831002	S1-37319831002	S1-37319831002	S1-37319831002
2	40	TUBING, EPDM	S1-02816427000	S1-02816427000	S1-02816427000	S1-02816427000
2	41	HOSE, RAIN GUTTER	S1-02815539000	S1-02815539000	S1-02815539000	S1-02815539000
2	42	HOSE, CONDENSATE	S1-02815540000	S1-02815855000	S1-02815855000	S1-02815856000
1	43	PLUG, SEAL, 7/8"	S1-02815853000	S1-02815853000	S1-02815853000	S1-02815853000
1	44	PLUG, SEAL, 2-3/8"	S1-02815854000	S1-02815854000	S1-02815854000	S1-02815854000
1	45	PLUG, VENT PIPE	S1-02924406000	S1-02924406000	S1-02924406000	S1-02924406000
*	46	BAG, PARTS	S1-02924480000	S1-02924481000	S1-02924481000	S1-02924481000
1	47	KNOB, QUARTER TURN (4 Req'd)	S1-02924485000	S1-02924485000	S1-02924485000	S1-02924485000
*	48	DIAGRAM, WIRING	364665	364665	364665	364665

NOTE: *Not Shown
 New replacement parts shown in **bold** face type at the first printing of parts list dated 6/17.
 Major components and suggested stocking items are shown with shaded item number.
 "<" Across from row indicates a change in that row.
 --- Not applicable to specified model.

FIG	ITEM	DESCRIPTION	TG9S100C20MP11A	TG9S120D16MP11A	TG9S120D20MP11A	TG9S130D20MP11A
			(5 BURNER)	(6 BURNER)	(6 BURNER)	(7 BURNER)
MOTOR						
2	1	MOTOR, DIRECT DRIVE BLOWER	S1-02432056000	S1-02432055000	S1-02432056000	S1-02432056000
1,2	2	BLOWER, COMBUSTION	S1-32642583000	S1-32642583000	S1-32642583000	S1-32642583000
ELECTRICAL						
1	3	CAPACITOR, RUN (15MFD/370V)	S1-02435764000	S1-02435764000	S1-02435764000	S1-02435764000
3	4	SWITCH, LIMIT (250 Deg, Manual Reset) (2 ea.)	S1-02541318000	S1-02541318000	S1-02541318000	S1-02541318000
2	5	CONTROL, FURNACE	S1-33102956000	S1-33102956000	S1-33102956000	S1-33102956000
3	6	IGNITER	S1-02532625000	S1-02532625000	S1-02532625000	S1-02532625000
3	7	SENSOR, FLAME	S1-02537499000	S1-02537499000	S1-02537499000	S1-02537499000
1	8	SWITCH, PRESSURE	S1-02435776000	S1-02435776000	S1-02435776000	S1-02435776000
2	9	SWITCH, DOOR	S1-02435738000	S1-02435738000	S1-02435738000	S1-02435738000
1	10	TRANSFORMER	S1-2940A3541	S1-2940A3541	S1-2940A3541	S1-2940A3541
1,3	11	VALVE, GAS	S1-32537426000	S1-32537426000	S1-32537426000	S1-32537426000
2	12	CONTROL, TEMPERATURE	S1-02541321000	S1-02541322000	S1-02541322000	S1-02541336000
1	13	SWITCH, PRESSURE	S1-02435779000	S1-02435779000	S1-02435779000	S1-02435779000
	14					
AIR MOVING						
1,2	15	HOUSING, BLOWER		S1-37327824003	S1-37327824003	S1-37327824003
2	16	WHEEL, BLOWER	S1-37327824003	S1-02638510000	S1-02638510000	S1-02638510000
FABRICATED PARTS						
2	17	RESTRICTOR, COMBUSTION BLOWER	S1-02815860000	S1-02815861000	S1-02815861000	S1-02815862000
3	18	BURNER, MAIN GAS	S1-02920482000	S1-02920482000	S1-02920482000	S1-02920482000
3	19	BRACKET, IGNITER	S1-07317403000	S1-07317403000	S1-07317403000	S1-07317403000
2	20	SHELF, BLOWER	S1-07327823004	S1-07327823005	S1-07327823005	S1-07327823005
2	21	RAIL, BLOWER (2 Req'd)	S1-07327825001	S1-07327825001	S1-07327825001	S1-07327825001
2	22	BRACKET, BLOWER TRACK (2 Req'd)	S1-07327825002	S1-07327825002	S1-07327825002	S1-07327825002
2	23	HEAT EXCHANGER ASS'Y	S1-37327843007	S1-37327843008	S1-37327843008	S1-37327843009
3	24	MANIFOLD, GAS	S1-02924469000	S1-02924470000	S1-02924470000	S1-02924471000
1	25	PAN, BOTTOM	S1-07327841003	S1-07327841004	S1-07327841004	S1-07327841004
1	26	PANEL, TOP	S1-07327842005	S1-07327842006	S1-07327842006	S1-07327842007
1	27	PANEL, DOOR (2 Req'd)	S1-37327822003	S1-37327822004	S1-37327822004	S1-37327822004
1	28	PANEL, BLOCKOFF	S1-07327827003	S1-07327827004	S1-07327827004	S1-07327827004
	29					
	30					
MISCELLANEOUS						
3	31	ORIFICE, BURNER (Natural #45)	S1-02921182045	S1-02921182045	S1-02921182045	---
		ORIFICE, BURNER (Natural #46)	---	---	---	S1-02921182146
1	32	SIGHT GLASS, OVAL (2 Req'd)	S1-02538899000	S1-02538899000	S1-02538899000	S1-02538899000
*	33	GASKET, FOAM (Door) (per ft.)	S1-02815517000	S1-02815517000	S1-02815517000	S1-02815517000
1,2	34	PAN, CONDENSATE	S1-32816449000	S1-32816421000	S1-32816421000	S1-32816423000
2	35	BRACKET, DOOR	S1-02815514000	S1-02815515000	S1-02815515000	S1-02815515000
*	36	HARNES, WIRING	S1-02541333000	S1-02541333000	S1-02541333000	S1-02541333000
2	37	FERRULE (3 Req'd)	S1-02320541000	S1-02320541000	S1-02320541000	S1-02320541000
2	38	GROMMET (3 Req'd)	S1-02814740000	S1-02814740000	S1-02814740000	S1-02814740000
2	39	MOTOR MOUNT (Includes item 39 & 40)	S1-37319831002	S1-37319831002	S1-37319831002	S1-37319831002
2	40	TUBING, EPDM	S1-02816427000	S1-02816427000	S1-02816427000	S1-02816427000
2	41	HOSE, RAIN GUTTER	S1-02815539000	S1-02815539000	S1-02815539000	S1-02815539000
2	42	HOSE, CONDENSATE	S1-02815856000	S1-02815857000	S1-02815857000	S1-02815857000
1	43	PLUG, SEAL, 7/8"	S1-02815853000	S1-02815853000	S1-02815853000	S1-02815853000
1	44	PLUG, SEAL, 2-3/8"	S1-02815854000	S1-02815854000	S1-02815854000	S1-02815854000
1	45	PLUG, VENT PIPE	S1-02924406000	S1-02924406000	S1-02924406000	S1-02924406000
*	46	BAG, PARTS	S1-02924481000	S1-02924481000	S1-02924481000	S1-02924481000
1	47	KNOB, QUARTER TURN (4 Req'd)	S1-02924485000	S1-02924485000	S1-02924485000	S1-02924485000
*	48	DIAGRAM, WIRING	364665	364665	364665	364665

NOTE: *Not Shown

New replacement parts shown in **bold** face type at the first printing of parts list dated 6/17.

Major components and suggested stocking items are shown with shaded item number.

"←" Across from row indicates a change in that row.

--- Not applicable to specified model.

TO ORDER AUTHORIZED FACTORY REPLACEMENT PARTS - Contact your Source1 HVAC Parts Distributor or visit our website at **www.Source1Parts.com** for a Distributor and Dealer listing.

Subject to change without notice. Published in U.S.A.
Copyright © 2017 by Johnson Controls, Inc. All rights reserved.

035-22026-001 Rev. R (0617)
Supersedes: 035-22026-001 Rev. Q (0417)

York International Corp.
5005 York Drive
Norman, OK 73069