

TI Series

Immersion Temperature Sensors

Product Overview

TI Series immersion temperature sensors are encased in a corrosion-resistant stainless steel housing with three installation choices: service entry body (TIG), threaded NPT (TIH), or indoor junction box (TIW, TID). A variety of probe lengths and RTD/thermistor options offer application flexibility. All TI Series sensors are warranted for a period of five years.

NOTICE

- This product is not intended for life or safety applications.
- Do not install this product in hazardous or classified locations.
- Read and understand the instructions before installing this product.
- Turn off all power supplying equipment before working on it.
- The installer is responsible for conformance to all applicable codes.

If this product is used in a manner not specified by the manufacturer, the protection provided by the product may be impaired. No responsibility is assumed by the manufacturer for any consequences arising out of the use of this material.

Product Identification

Enclosure	Immersion Probe Length "L"	Thermowell	Sensor Type
TI <input type="checkbox"/> D = Duct G = Service Entry Body H = Threaded NPT Only W = Water resistant housing	<input type="checkbox"/> A = 3 1/2" (89 mm) B = 5" (127 mm) C = 7" (178 mm) E = 13" (330 mm)	<input type="checkbox"/> 0 = None 1 = Add Thermowell	<input type="checkbox"/> B = 100R platinum, RTD C = 1k platinum, RTD D = 10k T2, Thermistor E = 2.2k, Thermistor F = 3k, Thermistor H = 10k T3, Thermistor I = 1k Balco (Nickel-iron) RTD J = 10k Dale, Thermistor K = 10k w/11k shunt, Thermistor M = 20k NTC, Thermistor N = 1800 ohm, Thermistor T = 100k, Thermistor W = 10k T2 high accuracy, Thermistor Y = 10k T3 high accuracy, Thermistor

Thermowell Sizing

	Probe Length	Thermowell Length
A	3 1/2" (89 mm)	2 1/2" (64 mm)
B	5" (127 mm)	4" (102 mm)
C	7" (178 mm)	6" (152 mm)
E	13" (330 mm)	12" (305 mm)

Options

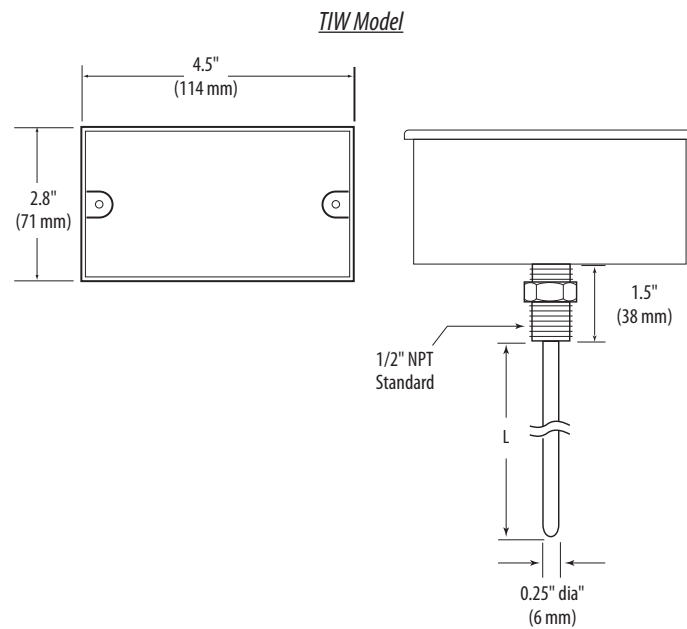
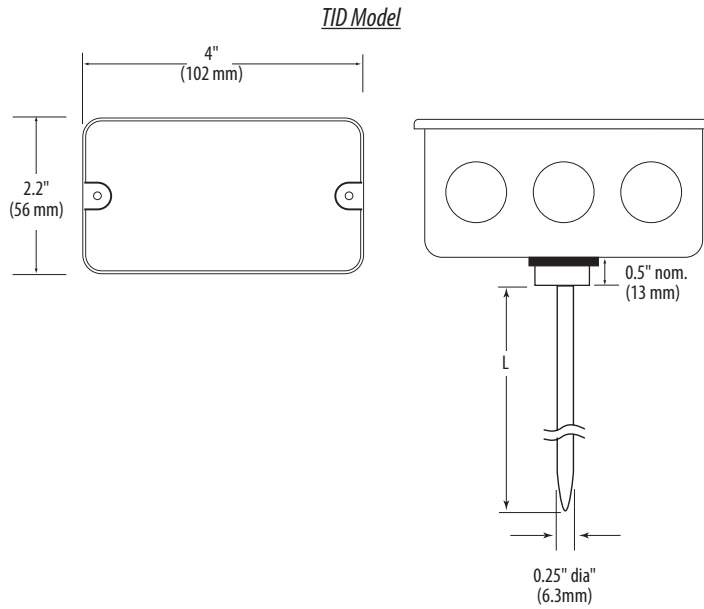
Cal Certificate	Threads
<input type="checkbox"/>	<input type="checkbox"/>
0 = None 2 = 3-point NIST calibration	Blank = NPT

Specifications

Wiring	22 AWG; 2-wire RTD/Thermistor
Probe	Stainless Steel
Test Pressure	200 psi
Operating Temperature	-25 to 105 °C (-13 to 221 °F)*
WARRANTY	
Limited Warranty	5 years

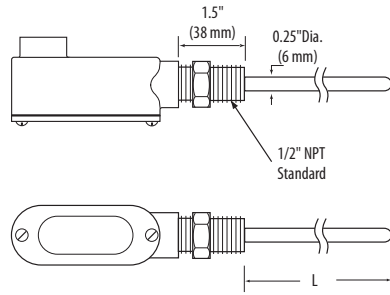
*Room temperature offset documented on each unit.

Dimensions

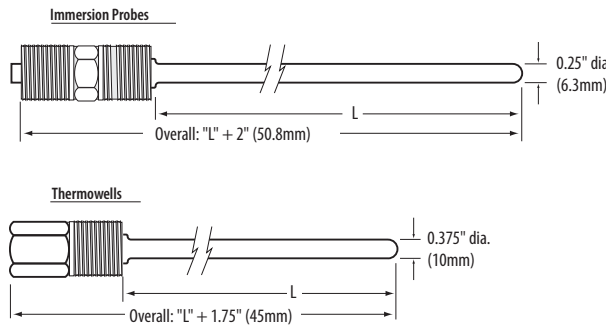


Dimensions (cont.)

TIG Model



TIH Model



Installation

1. Thread the assembly into a pipe fitting.
2. Wire as shown.

