

DATA SHEET



Three Phase Induction Motor - Squirrel Cage

Customer :

Product line : Rolled Steel NEMA Premium Efficiency Three-Phase Product code : 12751143
 Catalog # : 00318OT3E182T-SG

Frame	: 182/4T	Locked rotor time	: 27s (cold) 15s (hot)
Output	: 3 HP (2.2 kW)	Temperature rise	: 80 K
Poles	: 4	Duty cycle	: Cont.(S1)
Frequency	: 60 Hz	Ambient temperature	: -20°C to +40°C
Rated voltage	: 208-230/460 V	Altitude	: 1000 m.a.s.l.
Rated current	: 8.54-7.72/3.86 A	Cooling method	: IC01 - ODP
L. R. Amperes	: 71.7-64.8/32.4 A	Mounting	: F-1
LRC	: 8.4x(Code K)	Rotation ¹	: Both (CW and CCW)
No load current	: 3.57-4.14/2.07 A	Noise level ²	: 55.0 dB(A)
Rated speed	: 1765 rpm	Starting method	: Direct On Line
Slip	: 1.94 %		
Rated torque	: 8.81 ft.lb		
Locked rotor torque	: 220 %		
Breakdown torque	: 330 %		
Insulation class	: F		
Service factor	: 1.15		
Moment of inertia (J)	: 0.3092 sq.ft.lb		
Design	: B		

Output	25%	50%	75%	100%
Efficiency (%)	86.4	87.5	88.5	89.5
Power Factor	0.35	0.60	0.73	0.80

Notes

This revision replaces and cancel the previous one, which must be eliminated.

- (1) Looking the motor from the shaft end.
- (2) Measured at 1m and with tolerance of +3dB(A).
- (4) At 100% of full load.

These are average values based on tests with sinusoidal power supply, subject to the tolerances stipulated in NEMA MG-1.

Rev.	Changes Summary	Performed	Checked	Date
Performed by		Page		Revision
Checked by		1 / 6		
Date	15/05/2018			

TORQUE AND CURRENT VS SPEED CURVE

Three Phase Induction Motor - Squirrel Cage



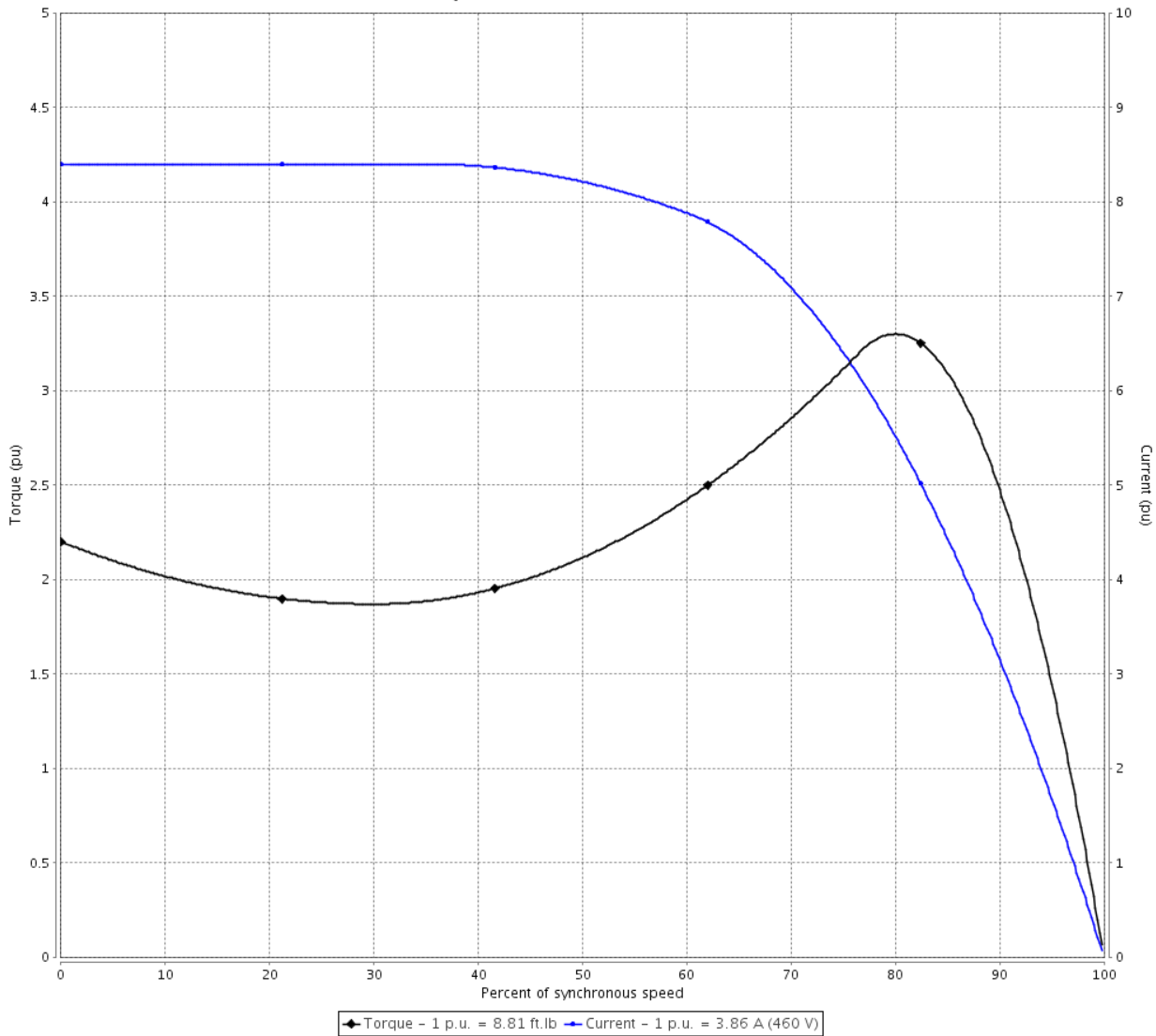
Customer :

Product line : Rolled Steel NEMA Premium Efficiency Three-Phase

Product code : 12751143

Catalog # : 00318OT3E182T-SG

TORQUE AND CURRENT VS SPEED CURVE



Performance : 208-230/460 V 60 Hz 4P

Rated current	: 8.54-7.72/3.86 A	Moment of inertia (J)	: 0.3092 sq.ft.lb
LRC	: 8.4	Duty cycle	: Cont.(S1)
Rated torque	: 8.81 ft.lb	Insulation class	: F
Locked rotor torque	: 220 %	Service factor	: 1.15
Breakdown torque	: 330 %	Temperature rise	: 80 K
Rated speed	: 1765 rpm	Design	: B

Locked rotor time : 27s (cold) 15s (hot)

Rev.	Changes Summary	Performed	Checked	Date
Performed by			Page 2 / 6	Revision
Checked by				
Date	15/05/2018			

LOAD PERFORMANCE CURVE

Three Phase Induction Motor - Squirrel Cage

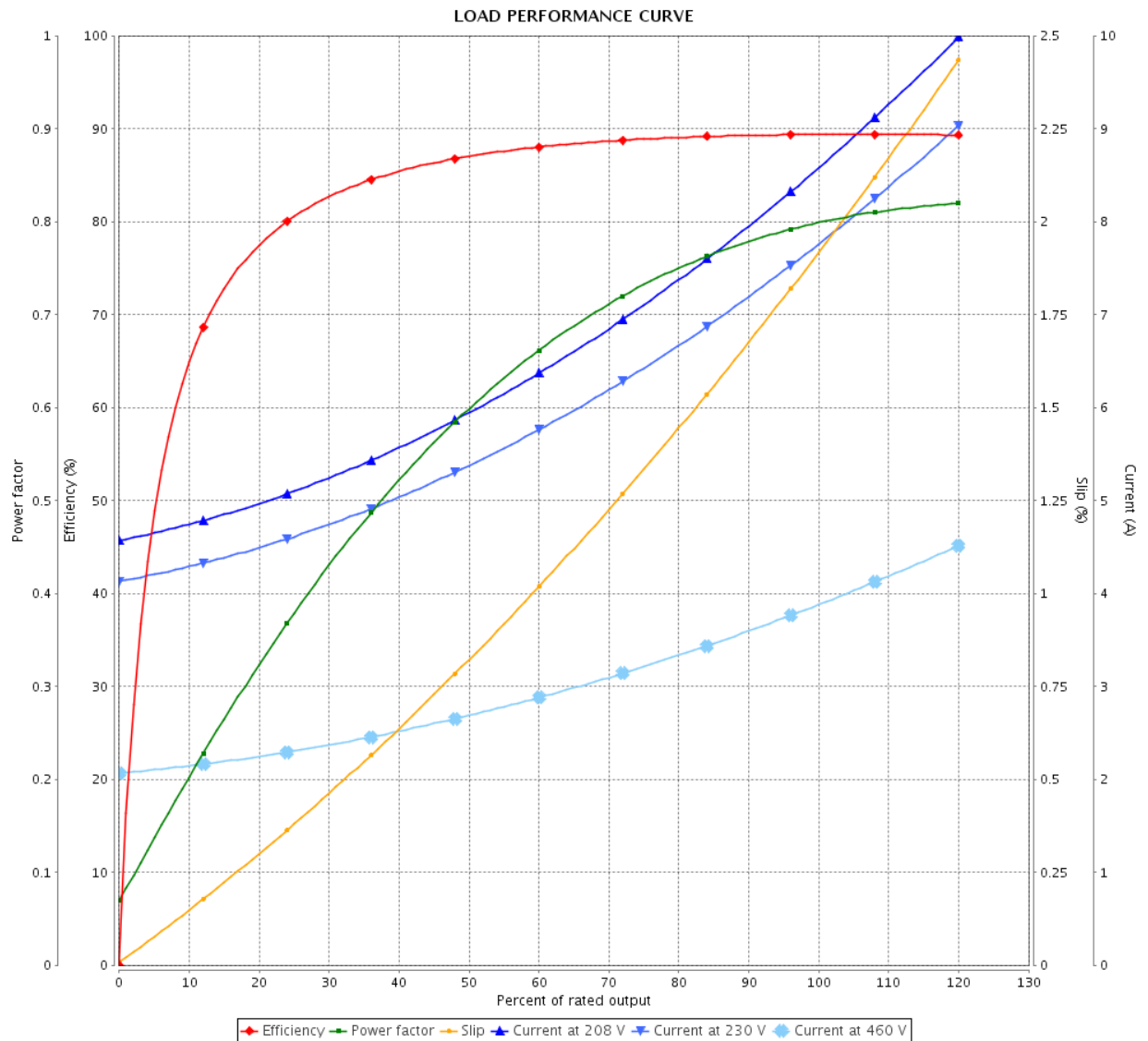


Customer : _____

Product line : Rolled Steel NEMA Premium
Efficiency Three-Phase

Product code : 12751143

Catalog # : 00318OT3E182T-SG



Performance : 208-230/460 V 60 Hz 4P

Rated current : 8.54-7.72/3.86 A
 LRC : 8.4
 Rated torque : 8.81 ft.lb
 Locked rotor torque : 220 %
 Breakdown torque : 330 %
 Rated speed : 1765 rpm

Moment of inertia (J) : 0.3092 sq.ft.lb
 Duty cycle : Cont.(S1)
 Insulation class : F
 Service factor : 1.15
 Temperature rise : 80 K
 Design : B

Rev.	Changes Summary	Performed	Checked	Date
Performed by			Page	Revision
Checked by			3 / 6	
Date	15/05/2018			

THERMAL LIMIT CURVE



Three Phase Induction Motor - Squirrel Cage

Customer :

Product line : Rolled Steel NEMA Premium
Efficiency Three-Phase

Product code : 12751143

Catalog # : 00318OT3E182T-SG

Performance : 208-230/460 V 60 Hz 4P

Rated current : 8.54-7.72/3.86 A
LRC : 8.4
Rated torque : 8.81 ft.lb
Locked rotor torque : 220 %
Breakdown torque : 330 %
Rated speed : 1765 rpm

Moment of inertia (J) : 0.3092 sq.ft.lb
Duty cycle : Cont.(S1)
Insulation class : F
Service factor : 1.15
Temperature rise : 80 K
Design : B

Heating constant

Cooling constant

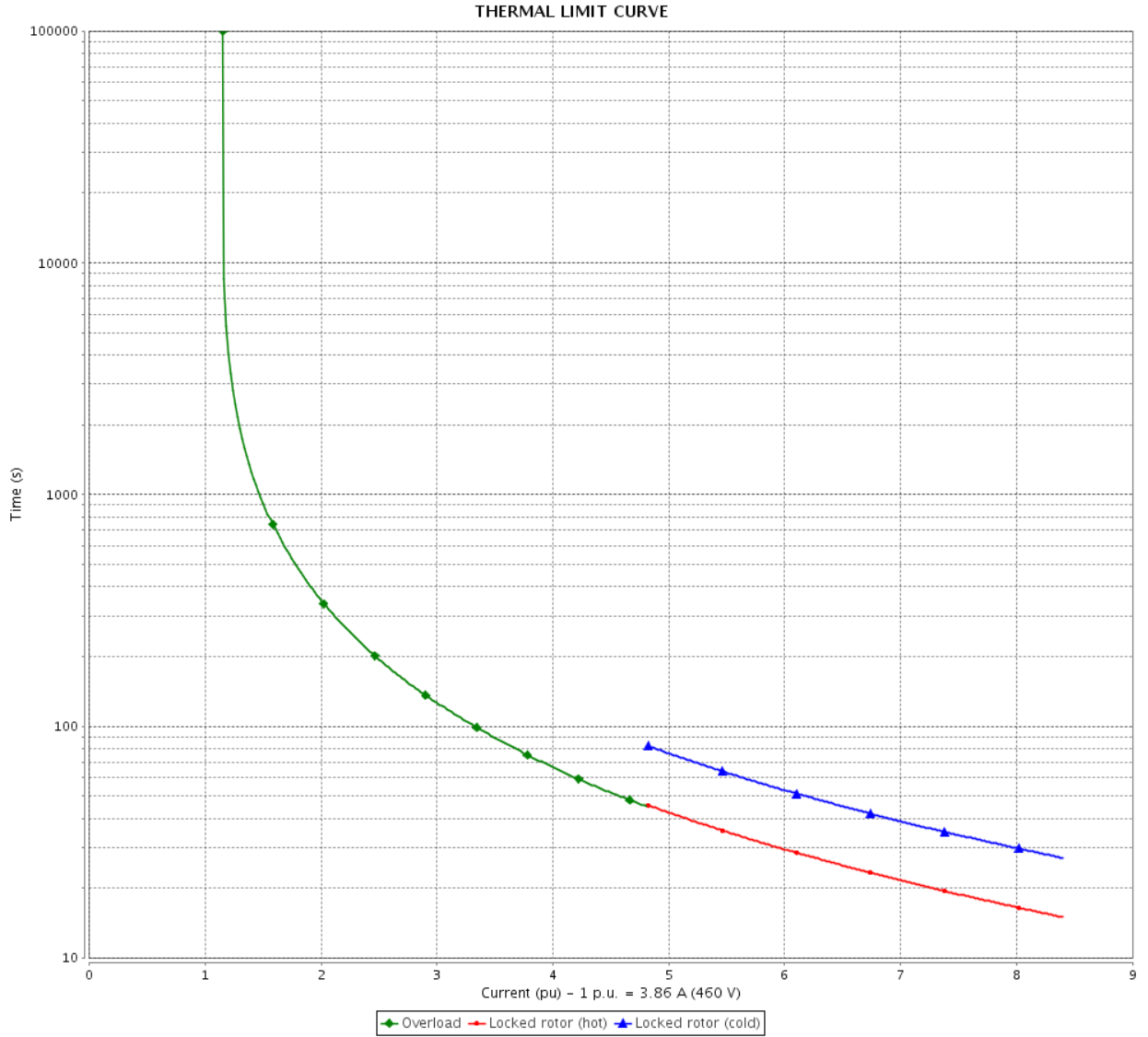
Rev.	Changes Summary	Performed	Checked	Date
Performed by				
Checked by			Page	Revision
Date	15/05/2018		4 / 6	

THERMAL LIMIT CURVE

Three Phase Induction Motor - Squirrel Cage



Customer : _____



Rev.	Changes Summary	Performed	Checked	Date
Performed by			Page	Revision
Checked by				
Date				

VFD OPERATION CURVE

Three Phase Induction Motor - Squirrel Cage

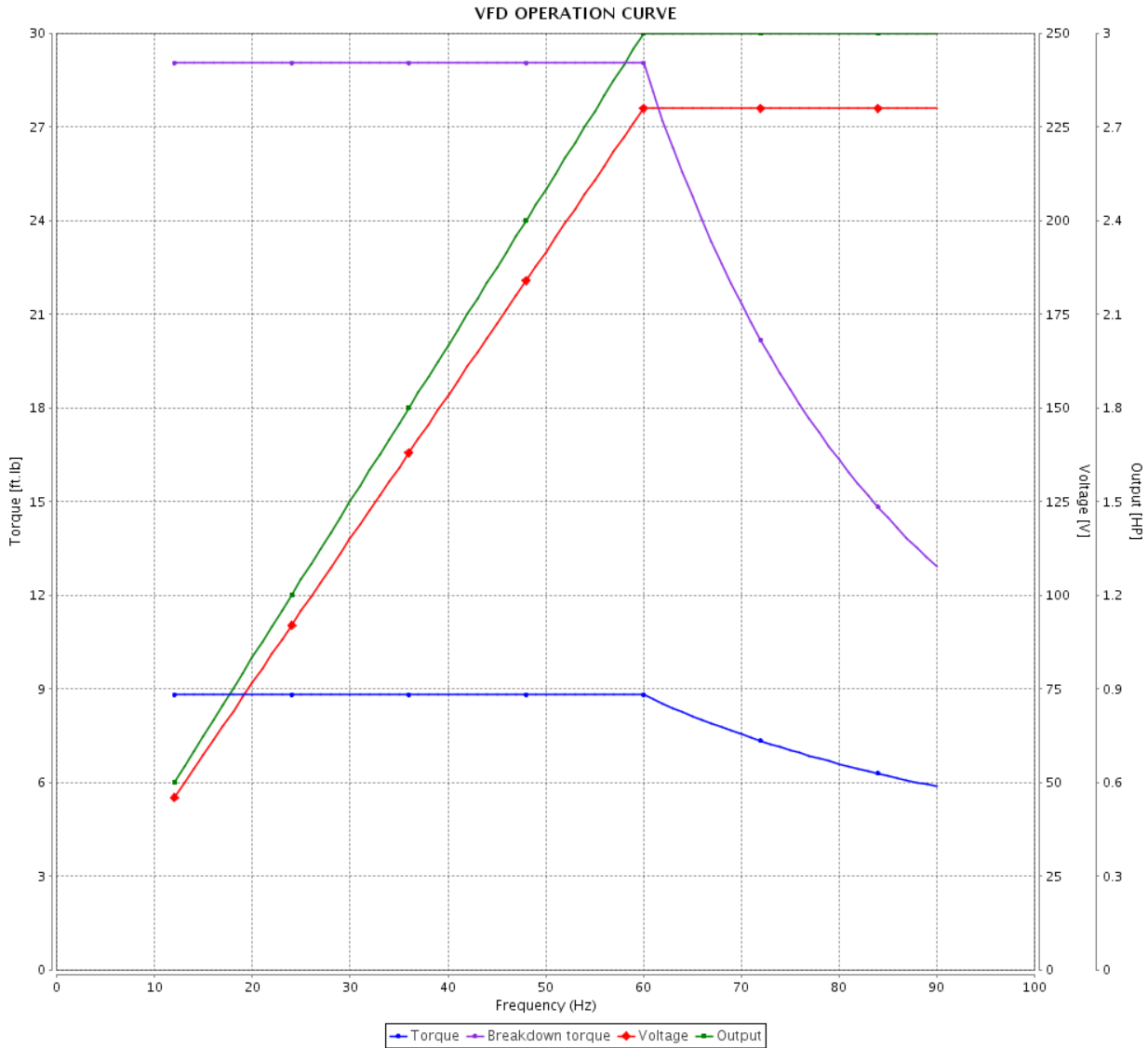


Customer :

Product line : Rolled Steel NEMA Premium Efficiency Three-Phase

Product code : 12751143

Catalog # : 003180T3E182T-SG



Performance : 208-230/460 V 60 Hz 4P

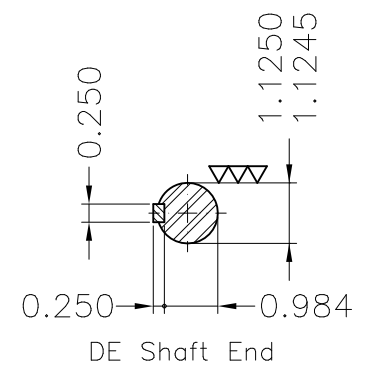
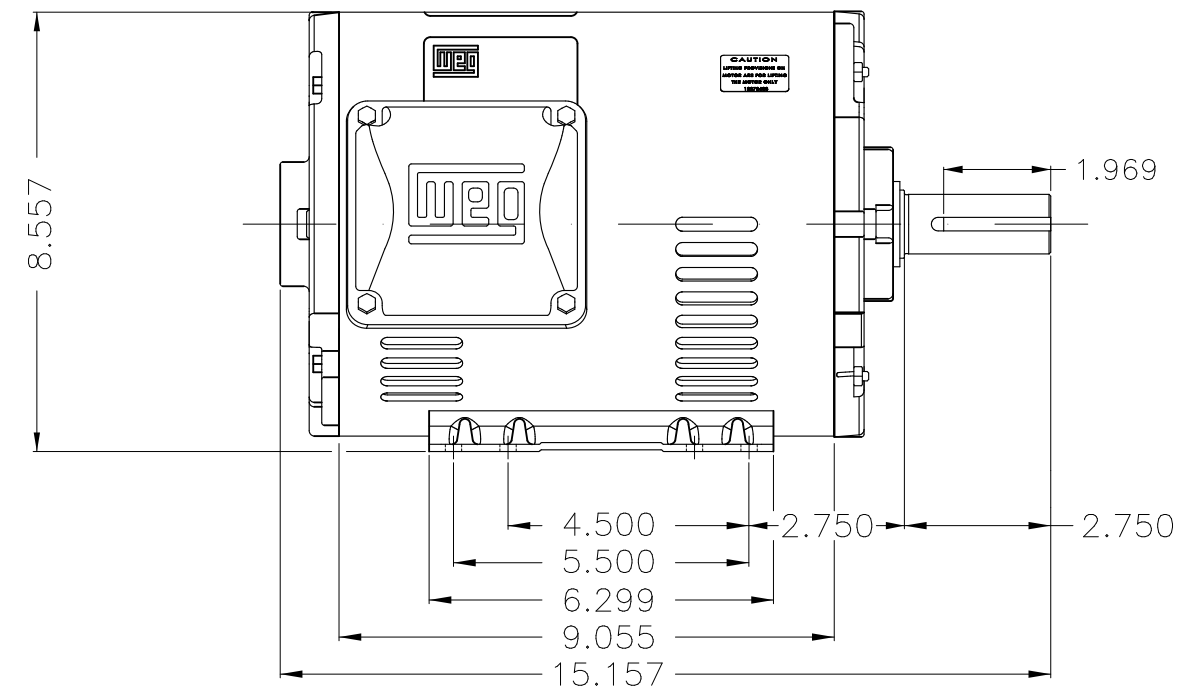
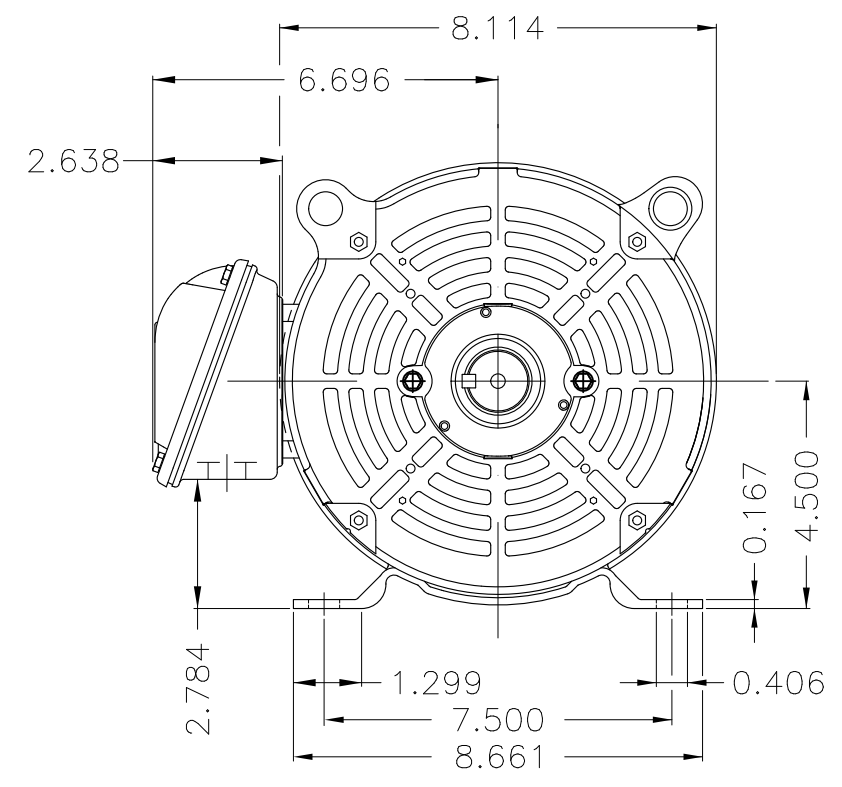
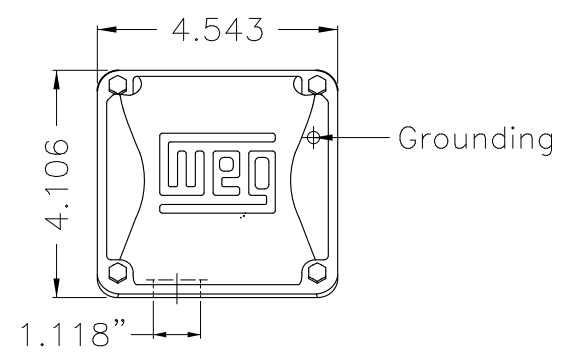
Rated current : 8.54-7.72/3.86 A
 LRC : 8.4
 Rated torque : 8.81 ft.lb
 Locked rotor torque : 220 %
 Breakdown torque : 330 %
 Rated speed : 1765 rpm

Moment of inertia (J) : 0.3092 sq.ft.lb
 Duty cycle : Cont.(S1)
 Insulation class : F
 Service factor : 1.15
 Temperature rise : 80 K
 Design : B

Rev.	Changes Summary	Performed	Checked	Date
Performed by			Page	Revision
Checked by				
Date				

Dimensões em polegada
Dimensions in inches

THIS IS AN UPDATED REVISION, THE
PREVIOUS ONE MUST BE DISREGARDED.



Brush holder Kit AEGIS internal DE
Bearing cap
Color Munsell N 1 matte black
Painting plan 207N
Mounting F-1/B3R(D)

ECM	LOC	SUMMARY OF MODIFICATIONS	EXECUTED	CHECKED	RELEASED	DATE	VER
EXECUTED	USERADMIN	THREE P. MOTOR OPEN ROLLED STEEL NEMA PREM					
CHECKED		FRAME 182/4T ODP					
RELEASED		WEG code: 12751143					
REL DT	15.05.2018	WMO Jaragua do Sul	Product Engineering	SHEET	1 / 1		

3 HP 04 Poles 60Hz

A

