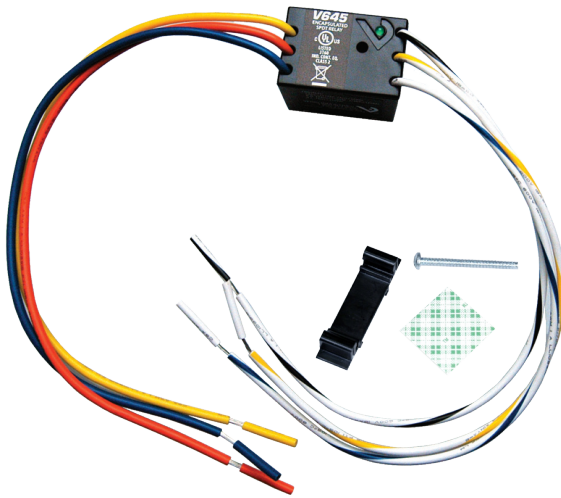


V645



V645

10A SPDT Mini Command Relay

Installer's Specifications

Operating Temperature	-0°C to 60°C (-32° to 140°F)
Operating Humidity	10-90% non condensing
Expected Relay Life	Electrical (at rated current): 100,000 cycles Mechanical (unpowered): 10,000,000 cycles
Relay Status	LED ON=energized
Insulation Class	277 VAC RMS
Wire Specifications:	
Lead Length	10" (254mm) min.
Gauge	UL1015; Coil: 18AWG; Contacts: 16AWG
Agency Approvals	UL508 enclosed device listing, pollution degree 2

INSTALLATION

Disconnect and lock out all power sources before beginning the installation.

1. Mount the unit using the DIN rail clip or the screw.
2. Connect coil:
 - Choose the coil common lead (white with yellow stripe) and connect it to the common (-) source termination point.
 - Choose either the low voltage (24-30 VAC/DC, white with blue stripe) or high voltage (120 VAC, white with black stripe) lead, depending on the application requirements, and connect it to the (+) source termination point.*
3. Connect relay contacts:
 - Choose the relay common wire (yellow) and connect to the switched load.
 - Choose the relay N.O. (orange) or N.C. (blue) lead* and connect to the switched load.
4. Secure the enclosure and reconnect power.

* Isolate or insulate all non-terminated wires according to local electrical code requirements, i.e. wire nut.

⚠ DANGER ⚡

HAZARD OF ELECTRIC SHOCK, EXPLOSION, OR ARC FLASH

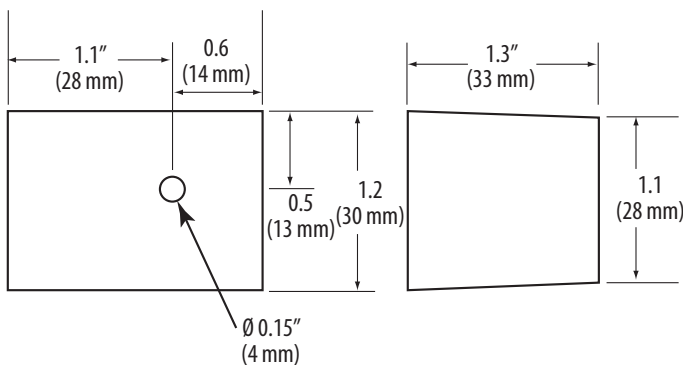
- Follow safe electrical work practices. See NFPA 70E in the USA, or applicable local codes.
- This equipment must only be installed and serviced by qualified electrical personnel.
- Read, understand and follow the instructions before installing this product.
- Turn off all power supplying equipment before working on or inside the equipment.
- Use a properly rated voltage sensing device to confirm power is off.
DO NOT DEPEND ON THIS PRODUCT FOR VOLTAGE INDICATION

Failure to follow these instructions will result in death or serious injury.

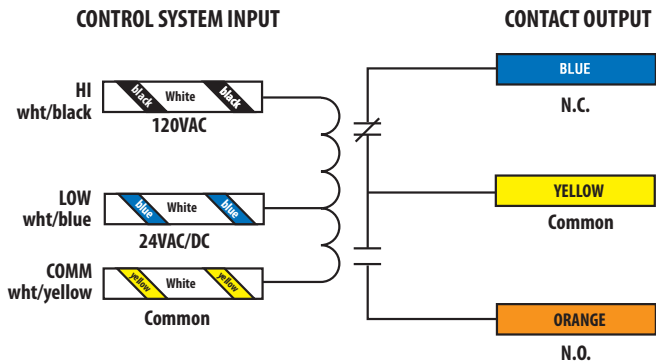
NOTICE

- This product is not intended for life or safety applications.
- Do not install this product in hazardous or classified locations.
- The installer is responsible for conformance to all applicable codes.
- Mount this product inside a suitable fire and electrical enclosure.

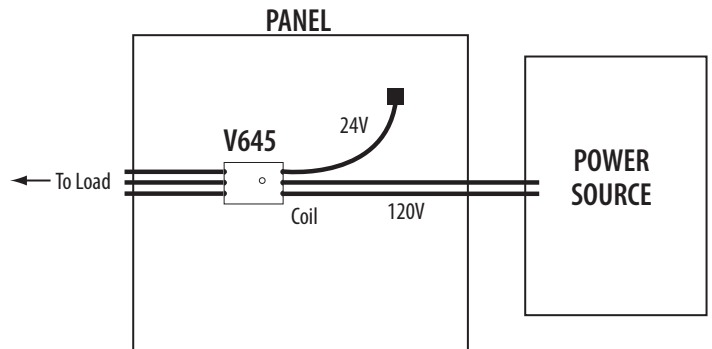
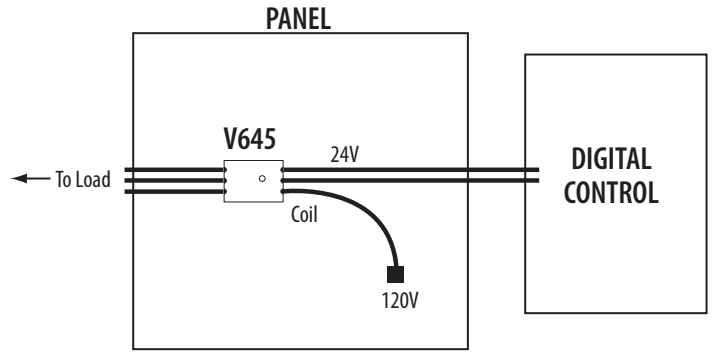
DIMENSIONS



WIRING COLOR CODES



WIRING EXAMPLE



CONTACT AND COIL SPECIFICATIONS

TYPICAL COIL PERFORMANCE		
Voltage	Coil Current	
	AC	DC
24-30V.....	32mA	13mA
120V.....	17mA	—

CONTACT RATINGS	
Resistive.....	10A@250VAC, N.O.
	7A@250VAC, N.C.
	6A@277VAC
	7A@30VDC
Motor.....	125VAC, 1/4 HP, N.O.