

VP527A Pneumatic Water Valve

INSTALLATION INSTRUCTIONS

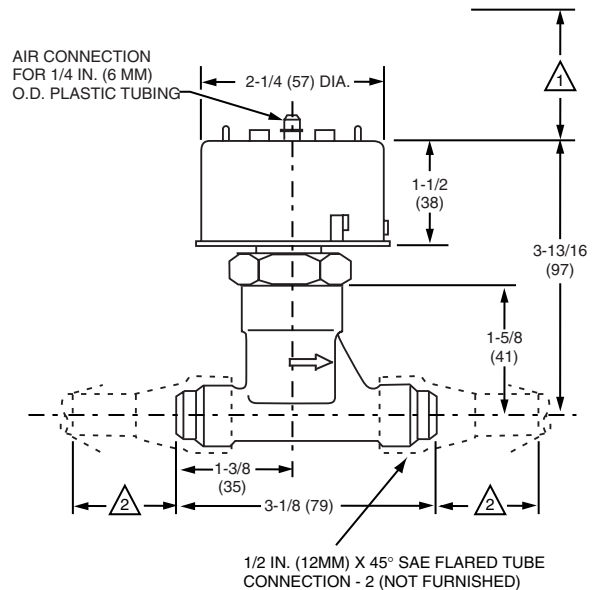
BEFORE INSTALLATION

Allow sufficient room for servicing or removing the valve. See Fig. 1 for space requirements. This valve can be installed in any position. The direction of the flow should be in the same direction as the arrow cast on the valve body.

INSTALLATION

1. Mount the valve. See Fig. 1 and 2.
2. Connect the control air tubing.

NOTE: No calibration or adjustments are necessary.



1 ALLOW 1-1/2 IN. (38 MM) MINIMUM CLEARANCE TO SERVICE VALVE, 2-1/2 IN. (63 MM) CLEARANCE TO CONNECT TUBING STRAIGHT TO CONNECTOR. IF CLEARANCE IS LESS THAN 2-1/2 IN. (63 MM), USE AN ELBOW CONNECTOR.

2 ALLOW 1-3/8 IN. (35 MM) MINIMUM CLEARANCE TO REMOVE VALVE.

M18348

Fig. 1. VP527A dimensions in in. (mm).



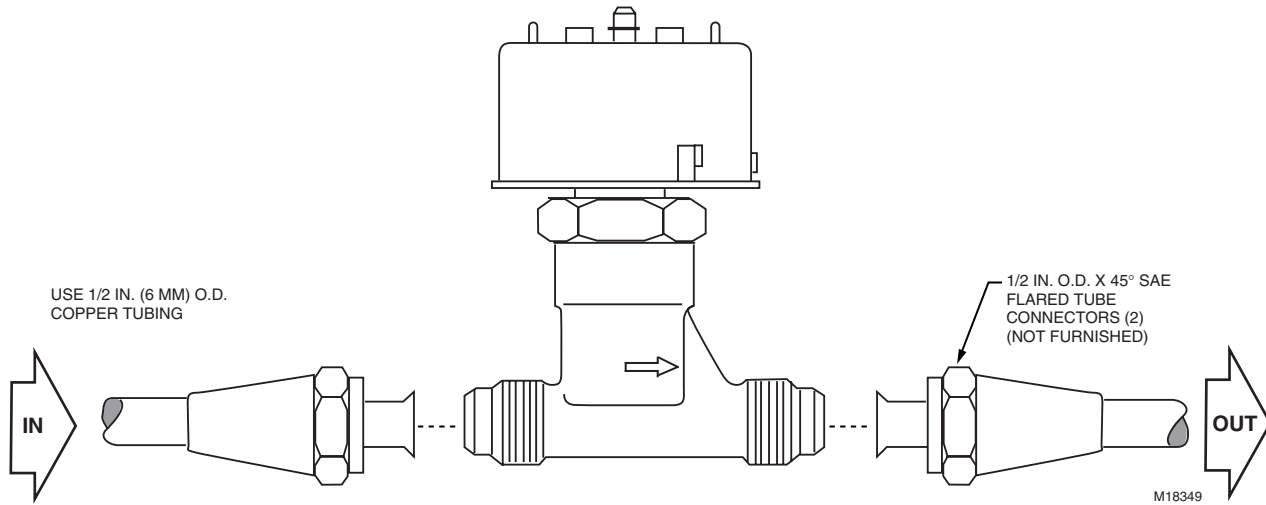


Fig. 2. VP527A connectors and copper tubing dimensions in. (mm).

TYPICAL OPERATION

An increase in control air pressure moves the valve stem toward the closed position, modulating flow through the valve.

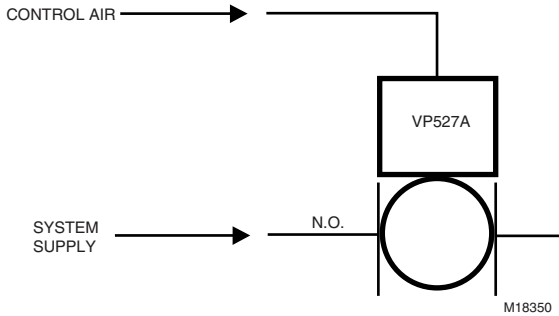


Fig. 3. VP527A typical operation.

Honeywell

Automation and Control Solutions

Honeywell
1985 Douglas Drive North
Golden Valley, MN 55422

Honeywell Limited-Honeywell Limitée
35 Dynamic Drive
Scarborough, Ontario
M1V 4Z9



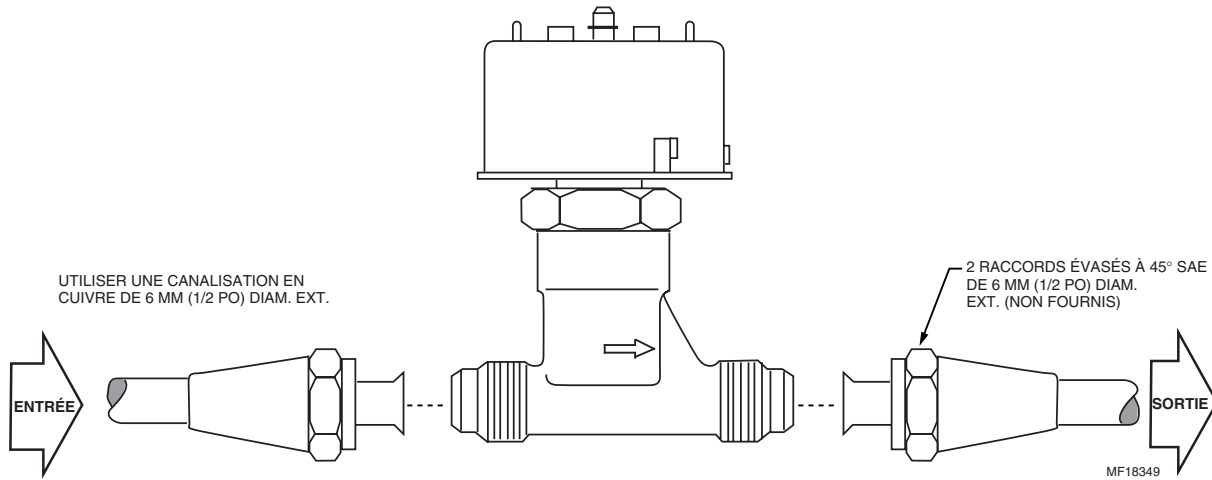


Fig. 2. Encombrement de la canalisation en cuivre et des raccords de la VP527A en mm (po).

FONCTIONNEMENT TYPE

Une augmentation de la pression d'air de commande fait déplacer la tige de la vanne vers la position de fermeture, modulant ainsi l'écoulement dans la vanne.

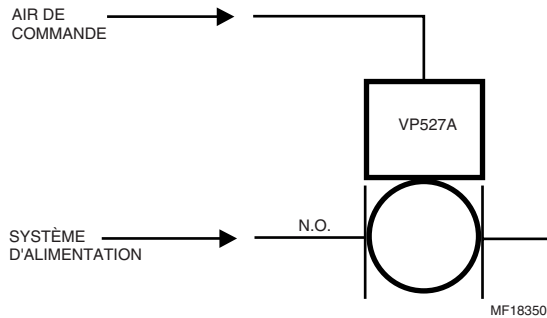


Fig. 3. Fonctionnement type de la VP527A.

Honeywell

Solutions de régulation et d'automatisation

Honeywell	Honeywell Limited-Honeywell Limitée
1985 Douglas Drive North	35, Dynamic Drive
Golden Valley, MN 55422	Scarborough (Ontario)
	M1V 4Z9

