

# VTD SERIES



The Veris VTD Series are multi-function time delay relays equipped with an external control switch input and designed for easy socket/DIN mounting. The VTD2P-F50 includes five functions shown at left, while the VTD1P-UNI and VTD2P-UNI include the same five as the VTD2P-F50 plus five more, for the most versatile relay available. Save inventory costs by purchasing one relay for all the functions you need.

## SPECIFICATIONS

Operating Range	85% to 110% of nominal voltage
Drop-Out Voltage Threshold	15% of nominal voltage
Expected Relay Life	Electrical (resistive @ rated current) 100,000 cycles; Mechanical (unpowered) 10,000,000 cycles
Dielectric Strength	1000 Vac RMS
Operating Temp Range	-20 to 55 °C (-4 to 131 °F)

### WARRANTY

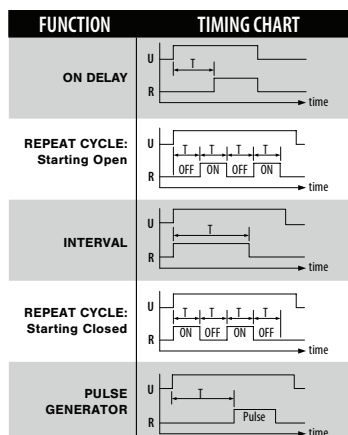
Limited Warranty 5 years

### AGENCY APPROVALS

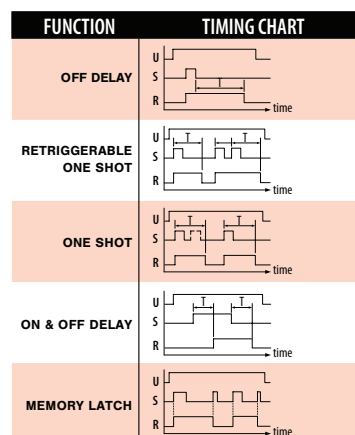


\*The CE mark indicates RoHS2 compliance.

## POWER TRIGGER



## SWITCH TRIGGER



U: Input voltage (power supply) S: Control switch (open or closed)  
R: Relay contacts (on or off) T: Setting time

## Thumb wheel adjustment

VTD2P-F50 has thumb wheel adjustment for function and timing accuracy

## Solid state relays

VTD1P/2P-UNI models are made with solid state relays for greater reliability

## Housing options

Two different housings provide multiple mounting options

### TYPICAL COIL PERFORMANCE

	Power Consumption
AC Coils	1.5 VA
DC Coils	2 w

### CONTACT RATINGS

(VTDP-F50)	
Resistive	12 A @ 240 Vac, 30 Vdc
Pilot Duty	B300
(VTD1p-UNI, VTD2P-UNI)	
Resistive	15A @ 240 Vac, 24 Vdc
Motor	1/2 HP @ 120 Vac; 1 HP @ 240 Vac

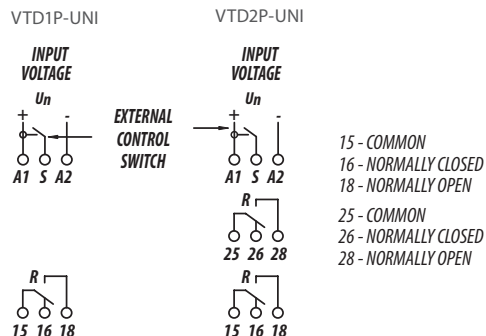
### TIMING CHARACTERISTICS

	VTD2P-F50	VTD1P-UNI, VTD2P-UNI
Function Available	5	10
Time Ranges		
0.1 sec	0 to 999	1 to 10
sec	0 to 999	1 to 10
0.1 min	0 to 999	1 to 10
min	0 to 999	1 to 10
0.1 hr	0 to 999	1 to 10
hr	0 to 999	1 to 10
10 hr	0 to 999	---
0.1 day	---	1 to 10
day	---	1 to 10
Tolerance (mechanical setting)	0%	5%
Repeatability	0.1%	0.2%
Operate Time (max)	25ms	no spec
Rest Time (max)	150 ms	150 ms
Trigger Pulse Length (min)	---	50 ms



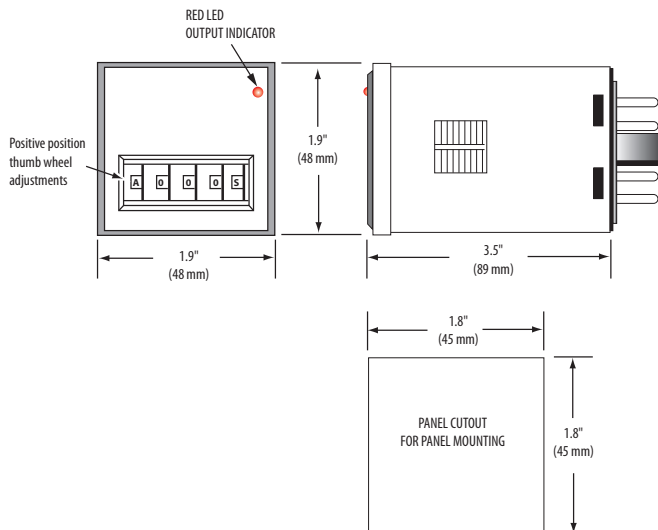
### VTD1P-UNI/VTD2P-UNI

Dimensional Drawing



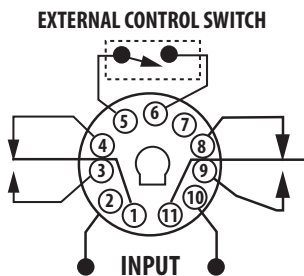
### VTD2P-F50

Dimensional Drawing



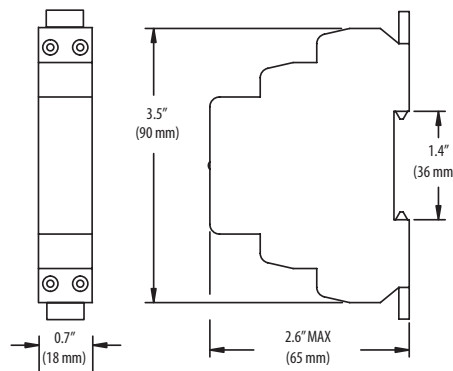
### VTD2P-F50

Wiring Diagram



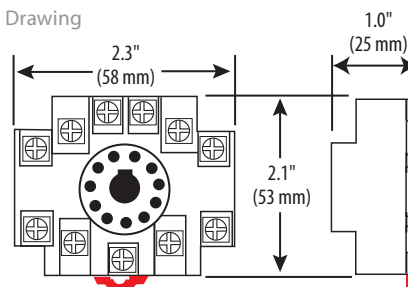
### VTD1P-UNI/VTD2P-UNI

Dimensional Drawing



### VBD3P-C

Dimensional Drawing



### RELAY ORDERING INFORMATION

MODEL	RELAY STYLE	NO. OF FUNCTIONS	AMPERAGE RANGE	COIL VOLTAGE	MIN. SWITCHING CURRENT	UL	CE
VTD2P-F50	DPDT	5	12	24 to 240 Vac/dc	100 mA@5 Vdc	Recognized*	•
VTD1P-UNI	SPDT	10	15	24 to 240 Vac/dc		Listed	•
VTD2P-UNI	DPDT	10	15	24 to 240 Vac/dc		Listed	•

\*UL Listed when used with Veris sockets.

### SOCKET ORDERING INFORMATION

MODEL	AMPERAGE RATING	VOLTAGE RATING	UL	CE
VBD3P-C	15 A	300	•	•

When relays and sockets are used together, the overall amperage rating is the lesser of the two ratings.

