

DATA SHEET

Three Phase Induction Motor - Squirrel Cage



Customer :

Product line : Rolled Steel NEMA Premium Efficiency Three-Phase

Product code : 12628413

Catalog # : 00118OT3E143T-S

Frame : 143/5T
Output : 1 HP (0.75 kW)
Poles : 4
Frequency : 60 Hz
Rated voltage : 208-230/460 V
Rated current : 3.34-3.02/1.51 A
L. R. Amperes : 26.7-24.2/12.1 A
LRC : 8.0x(Code L)
No load current : 1.65-1.92/0.958 A
Rated speed : 1760 rpm
Slip : 2.22 %
Rated torque : 0.407 kgfm
Locked rotor torque : 290 %
Breakdown torque : 360 %
Insulation class : F
Service factor : 1.15
Moment of inertia (J) : 0.0046 kgm²
Design : B

Locked rotor time : 39s (cold) 22s (hot)
Temperature rise : 80 K
Duty cycle : Cont.(S1)
Ambient temperature : -20°C to +40°C
Altitude : 1000 m.a.s.l.
Cooling method : IC01 - ODP
Mounting : F-1
Rotation¹ : Both (CW and CCW)
Noise level² : 52.0 dB(A)
Starting method : Direct On Line
Approx. weight³ : 15.7 kg

Output	50%	75%	100%
Efficiency (%)	81.5	84.0	85.5
Power Factor	0.51	0.65	0.73

Foundation loads
Max. traction : 39 kgf
Max. compression : 54 kgf

	Drive end	Non drive end
Bearing type	: 6205 ZZ	: 6203 ZZ
Sealing	: Without Bearing Seal	: Without Bearing Seal
Lubrication interval	: -	: -
Lubricant amount	: -	: -
Lubricant type	: Mobil Polyrex EM	

Notes

This revision replaces and cancel the previous one, which must be eliminated.

- (1) Looking the motor from the shaft end.
- (2) Measured at 1m and with tolerance of +3dB(A).
- (3) Approximate weight subject to changes after manufacturing process.
- (4) At 100% of full load.

These are average values based on tests with sinusoidal power supply, subject to the tolerances stipulated in NEMA MG-1.

Rev.	Changes Summary	Performed	Checked	Date
Performed by				
Checked by			Page	Revision
Date	13/02/2019		1 / 6	

TORQUE AND CURRENT VS SPEED CURVE

Three Phase Induction Motor - Squirrel Cage



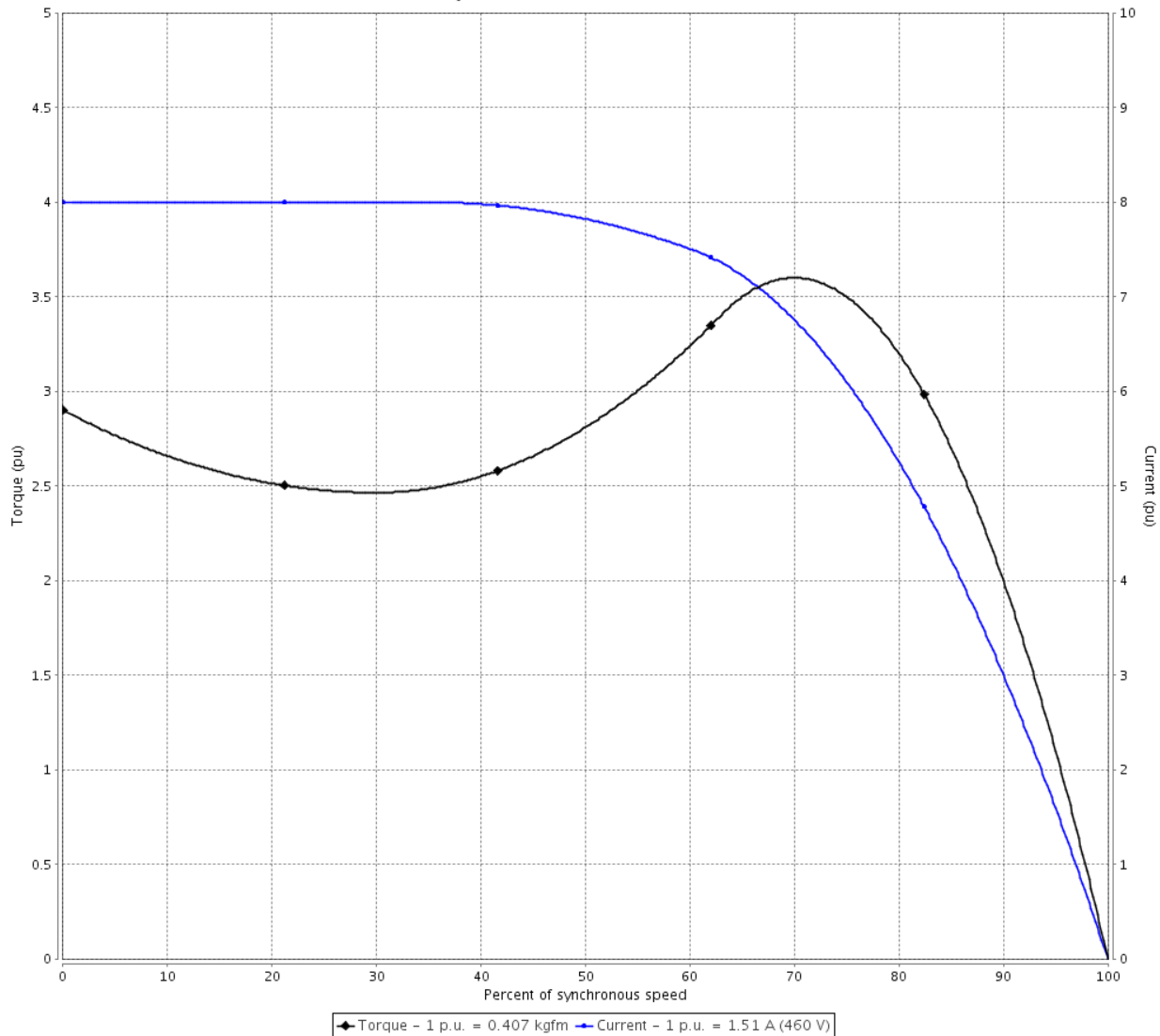
Customer :

Product line : Rolled Steel NEMA Premium Efficiency Three-Phase

Product code : 12628413

Catalog # : 001180T3E143T-S

TORQUE AND CURRENT VS SPEED CURVE



Performance : 208-230/460 V 60 Hz 4P

Rated current	: 3.34-3.02/1.51 A	Moment of inertia (J)	: 0.0046 kgm ²
LRC	: 8.0	Duty cycle	: Cont.(S1)
Rated torque	: 0.407 kgfm	Insulation class	: F
Locked rotor torque	: 290 %	Service factor	:
Breakdown torque	: 360 %	Temperature rise	: 80 K
Rated speed	: 1760 rpm	Design	: B

Locked rotor time : 39s (cold) 22s (hot)

Rev.	Changes Summary	Performed	Checked	Date
Performed by			Page 2 / 6	Revision
Checked by				
Date	13/02/2019			

LOAD PERFORMANCE CURVE

Three Phase Induction Motor - Squirrel Cage

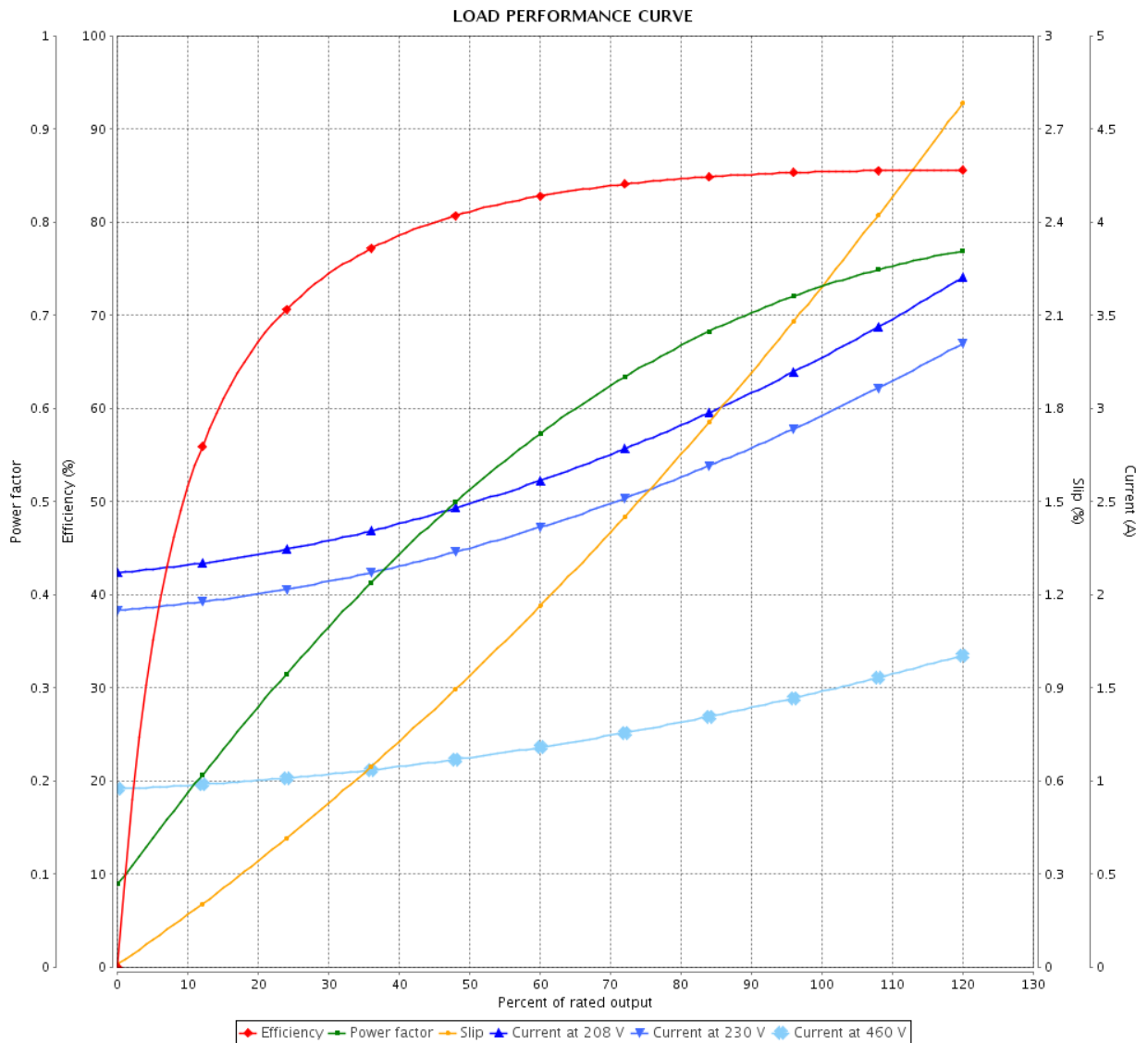


Customer : _____

Product line : Rolled Steel NEMA Premium Efficiency Three-Phase

Product code : 12628413

Catalog # : 00118OT3E143T-S



Performance : 208-230/460 V 60 Hz 4P

Rated current : 3.34-3.02/1.51 A
 LRC : 8.0
 Rated torque : 0.407 kgfm
 Locked rotor torque : 290 %
 Breakdown torque : 360 %
 Rated speed : 1760 rpm

Moment of inertia (J) : 0.0046 kgm²
 Duty cycle : Cont.(S1)
 Insulation class : F
 Service factor :
 Temperature rise : 80 K
 Design : B

Rev.	Changes Summary	Performed	Checked	Date
Performed by		Page		Revision
Checked by		3 / 6		
Date	13/02/2019			

THERMAL LIMIT CURVE



Three Phase Induction Motor - Squirrel Cage

Customer :

Product line : Rolled Steel NEMA Premium
Efficiency Three-Phase

Product code : 12628413

Catalog # : 00118OT3E143T-S

Performance : 208-230/460 V 60 Hz 4P

Rated current : 3.34-3.02/1.51 A

LRC : 8.0

Rated torque : 0.407 kgfm

Locked rotor torque : 290 %

Breakdown torque : 360 %

Rated speed : 1760 rpm

Moment of inertia (J) : 0.0046 kgm²

Duty cycle : Cont.(S1)

Insulation class : F

Service factor :

Temperature rise : 80 K

Design : B

Heating constant

Cooling constant

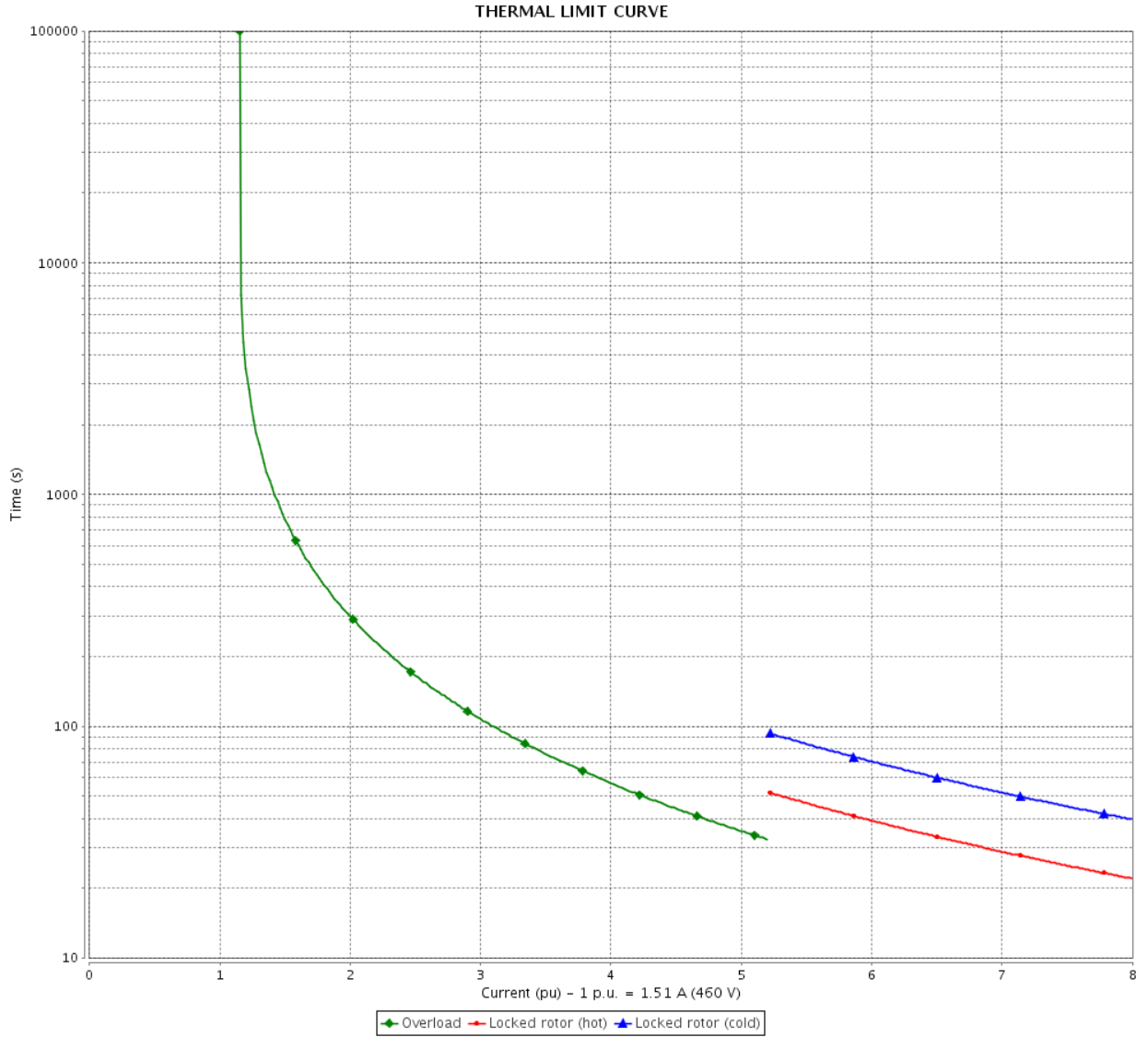
Rev.	Changes Summary	Performed	Checked	Date
Performed by				
Checked by			Page	Revision
Date	13/02/2019		4 / 6	

THERMAL LIMIT CURVE

Three Phase Induction Motor - Squirrel Cage



Customer : _____



Rev.	Changes Summary	Performed	Checked	Date
Performed by				
Checked by				
Date				
		Page 5 / 6	Revision	

VFD OPERATION CURVE

Three Phase Induction Motor - Squirrel Cage

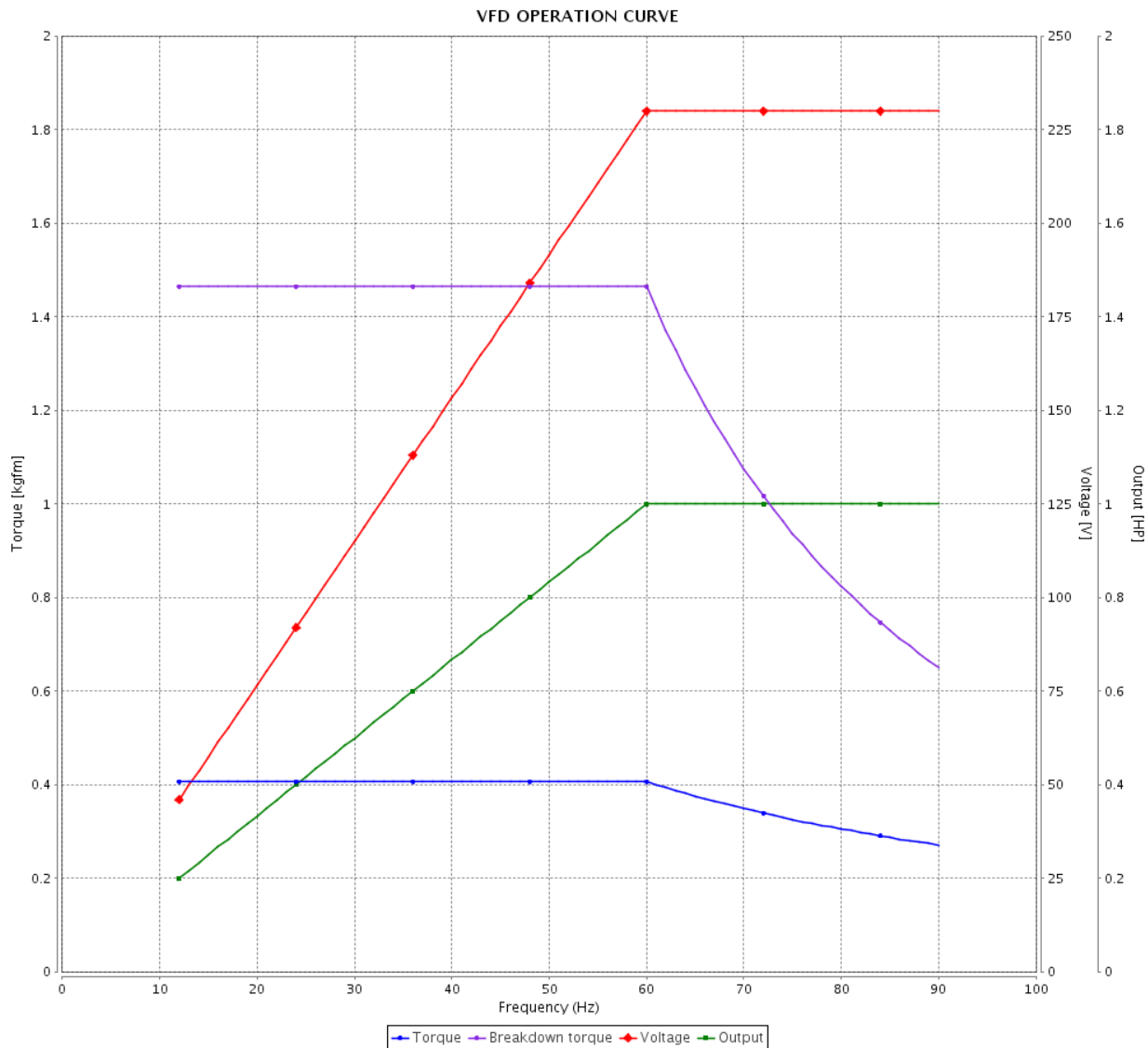


Customer : _____

Product line : Rolled Steel NEMA Premium
Efficiency Three-Phase

Product code : 12628413

Catalog # : 001180T3E143T-S



Performance : 208-230/460 V 60 Hz 4P

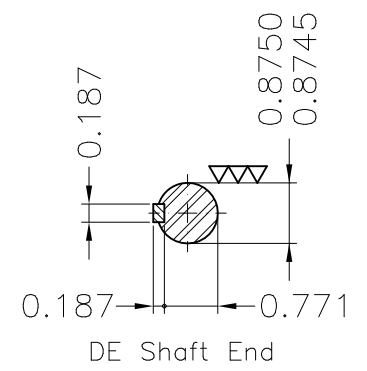
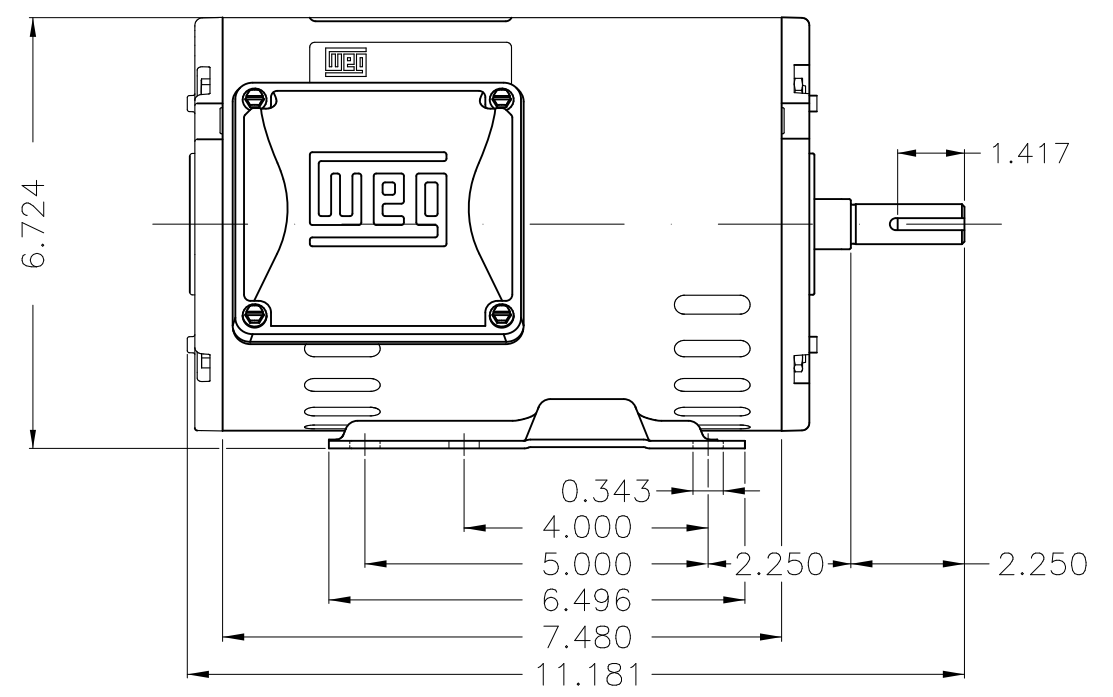
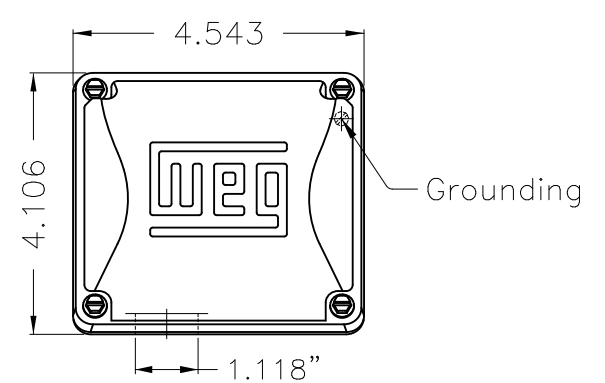
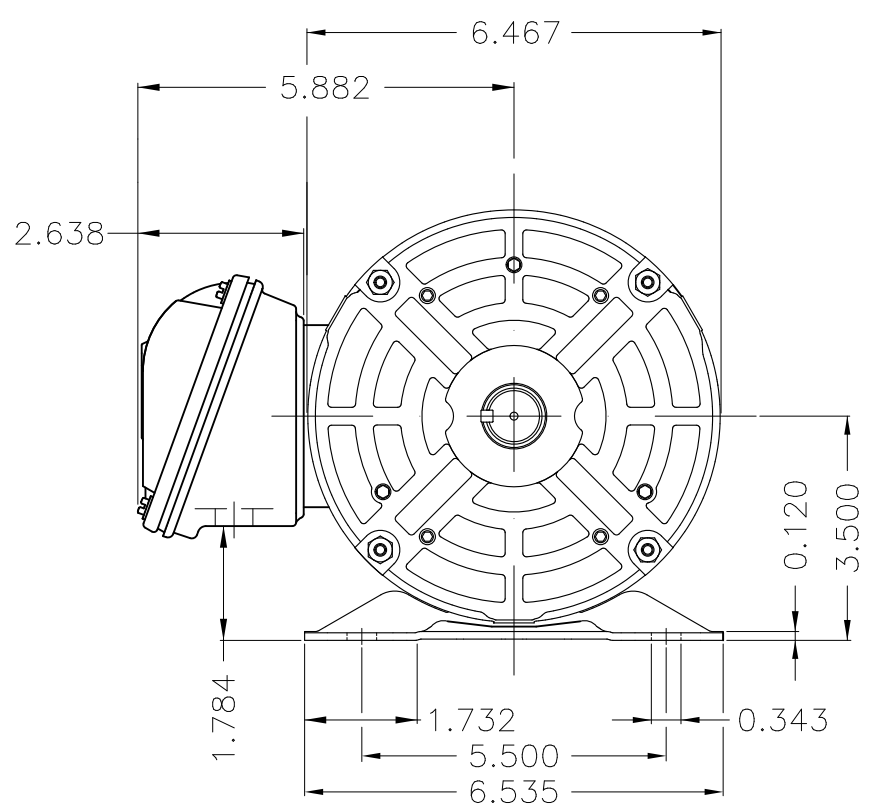
Rated current : 3.34-3.02/1.51 A
LRC : 8.0
Rated torque : 0.407 kgfm
Locked rotor torque : 290 %
Breakdown torque : 360 %
Rated speed : 1760 rpm

Moment of inertia (J) : 0.0046 kgm²
Duty cycle : Cont.(S1)
Insulation class : F
Service factor :
Temperature rise : 80 K
Design : B

Rev.	Changes Summary	Performed	Checked	Date
Performed by			Page 6 / 6	Revision
Checked by				
Date	13/02/2019			

Dimensões em polegada
Dimensions in inches

THIS IS AN UPDATED REVISION, THE
PREVIOUS ONE MUST BE DISREGARDED.



Color Munsell N 1 matte black									
Painting plan 207N									
Mounting F-1/B3R(D)									
ECM	LOC	SUMMARY OF MODIFICATIONS			EXECUTED	CHECKED	RELEASED	DATE	VER
EXECUTED	USERADMIN	THREE P. MOTOR OPEN ROLLED STEEL NEMA PREM							
CHECKED		FRAME 143/5T ODP							
RELEASED		WEG code: 12628413							
REL DT	13.02.2019	WMO	Jaragua do Sul	Product Engineering	SHEET	1 / 1			

1 HP 04 Poles 60Hz

A

