

# DATA SHEET

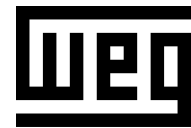
## Three Phase Induction Motor - Squirrel Cage



Customer :																			
Product line : Rolled Steel Three-Phase	Product code : 12759194 Catalog # : 00218OT3E56-S																		
Frame : 56H Output : 2 HP (1.5 kW) Poles : 4 Frequency : 60 Hz Rated voltage : 208-230/460 V Rated current : 5.95-5.38/2.69 A L. R. Amperes : 45.8-41.4/20.7 A LRC : 7.7x(Code K) No load current : 2.37-2.75/1.38 A Rated speed : 1740 rpm Slip : 3.33 % Rated torque : 0.823 kgfm Locked rotor torque : 260 % Breakdown torque : 320 % Insulation class : F Service factor : 1.15 Moment of inertia (J) : 0.0049 kgm <sup>2</sup> Design : A	Locked rotor time : 30s (cold) 17s (hot) Temperature rise : 80 K Duty cycle : Cont.(S1) Ambient temperature : -20°C to +40°C Altitude : 1000 m.a.s.l. Cooling method : IC01 - ODP Mounting : F-1 Rotation <sup>1</sup> : Both (CW and CCW) Noise level <sup>2</sup> : 52.0 dB(A) Starting method : Direct On Line Approx. weight <sup>3</sup> : 17.2 kg																		
<table border="1" style="width:100%; border-collapse: collapse;"> <tr> <td>Output</td> <td>25%</td> <td>50%</td> <td>75%</td> <td>100%</td> </tr> <tr> <td>Efficiency (%)</td> <td>85.2</td> <td>85.5</td> <td>86.5</td> <td>86.5</td> </tr> <tr> <td>Power Factor</td> <td>0.36</td> <td>0.61</td> <td>0.74</td> <td>0.81</td> </tr> </table>	Output	25%	50%	75%	100%	Efficiency (%)	85.2	85.5	86.5	86.5	Power Factor	0.36	0.61	0.74	0.81	Foundation loads Max. traction : 83 kgf Max. compression : 100 kgf			
Output	25%	50%	75%	100%															
Efficiency (%)	85.2	85.5	86.5	86.5															
Power Factor	0.36	0.61	0.74	0.81															
<table style="width:100%;"> <tr> <td></td> <td style="text-align:center;"><u>Drive end</u></td> <td style="text-align:center;"><u>Non drive end</u></td> </tr> <tr> <td>Bearing type :</td> <td style="text-align:center;">6204 ZZ</td> <td style="text-align:center;">6202 ZZ</td> </tr> <tr> <td>Sealing :</td> <td style="text-align:center;">Without Bearing Seal</td> <td style="text-align:center;">Without Bearing Seal</td> </tr> <tr> <td>Lubrication interval :</td> <td style="text-align:center;">-</td> <td style="text-align:center;">-</td> </tr> <tr> <td>Lubricant amount :</td> <td style="text-align:center;">-</td> <td style="text-align:center;">-</td> </tr> <tr> <td>Lubricant type :</td> <td colspan="2" style="text-align:center;">Mobil Polyrex EM</td> </tr> </table>			<u>Drive end</u>	<u>Non drive end</u>	Bearing type :	6204 ZZ	6202 ZZ	Sealing :	Without Bearing Seal	Without Bearing Seal	Lubrication interval :	-	-	Lubricant amount :	-	-	Lubricant type :	Mobil Polyrex EM	
	<u>Drive end</u>	<u>Non drive end</u>																	
Bearing type :	6204 ZZ	6202 ZZ																	
Sealing :	Without Bearing Seal	Without Bearing Seal																	
Lubrication interval :	-	-																	
Lubricant amount :	-	-																	
Lubricant type :	Mobil Polyrex EM																		
Notes																			
This revision replaces and cancel the previous one, which must be eliminated. (1) Looking the motor from the shaft end. (2) Measured at 1m and with tolerance of +3dB(A). (3) Approximate weight subject to changes after manufacturing process. (4) At 100% of full load.																			
These are average values based on tests with sinusoidal power supply, subject to the tolerances stipulated in NEMA MG-1.																			
Rev.	Changes Summary	Performed	Checked	Date															
Performed by																			
Checked by			Page	Revision															
Date	13/02/2019		1 / 5																

# TORQUE AND CURRENT VS SPEED CURVE

Three Phase Induction Motor - Squirrel Cage



Customer :

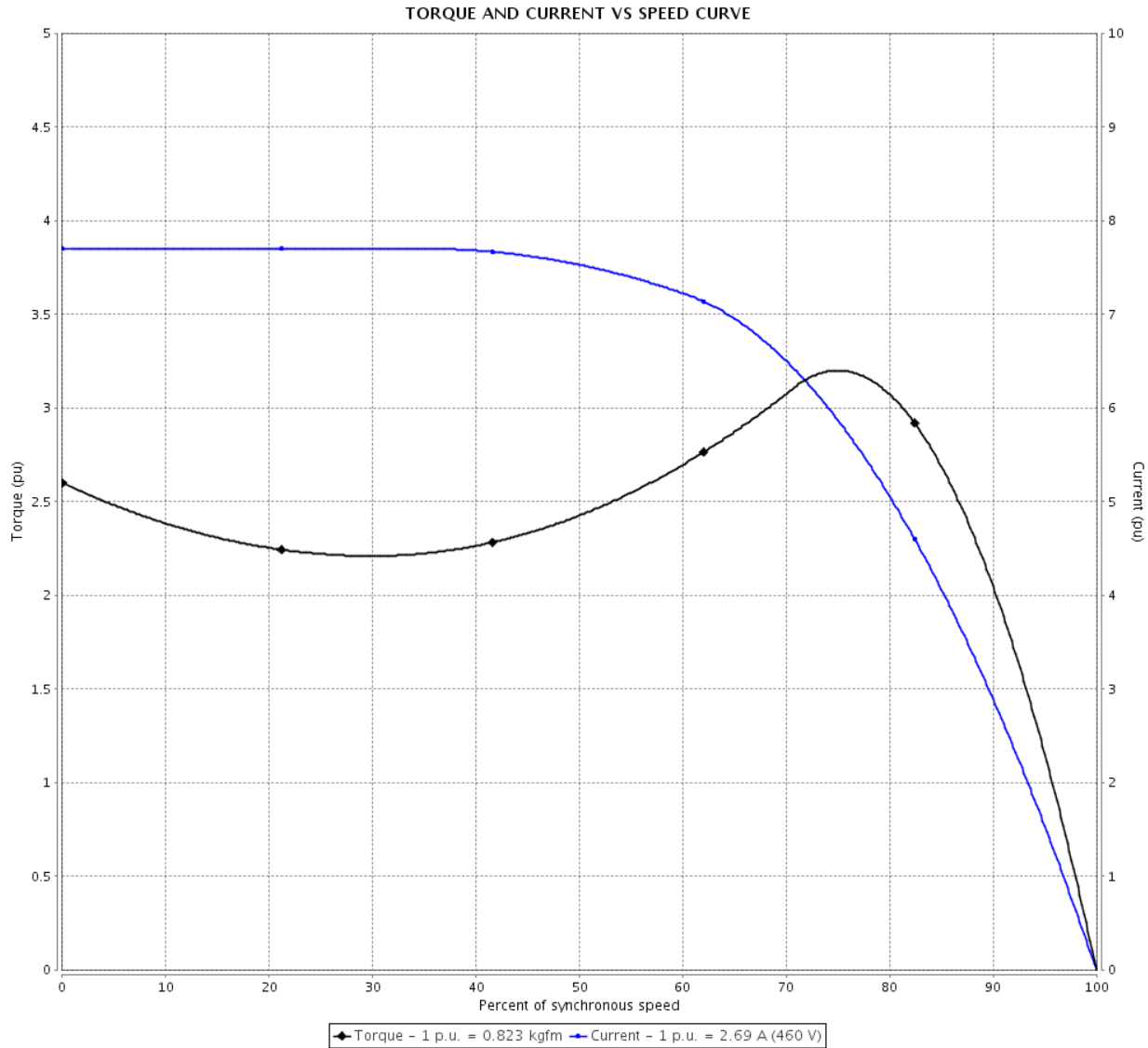
Product line : Rolled Steel Three-Phase

Product code :

12759194

Catalog # :

002180T3E56-S



Performance : 208-230/460 V 60 Hz 4P

Rated current	: 5.95-5.38/2.69 A	Moment of inertia (J)	: 0.0049 kgm <sup>2</sup>
LRC	: 7.7	Duty cycle	: Cont.(S1)
Rated torque	: 0.823 kgfm	Insulation class	: F
Locked rotor torque	: 260 %	Service factor	:
Breakdown torque	: 320 %	Temperature rise	: 80 K
Rated speed	: 1740 rpm	Design	: A

Locked rotor time : 30s (cold) 17s (hot)

Rev.	Changes Summary	Performed	Checked	Date
Performed by			Page 2 / 5	Revision
Checked by				
Date	13/02/2019			

# LOAD PERFORMANCE CURVE

Three Phase Induction Motor - Squirrel Cage



Customer : \_\_\_\_\_

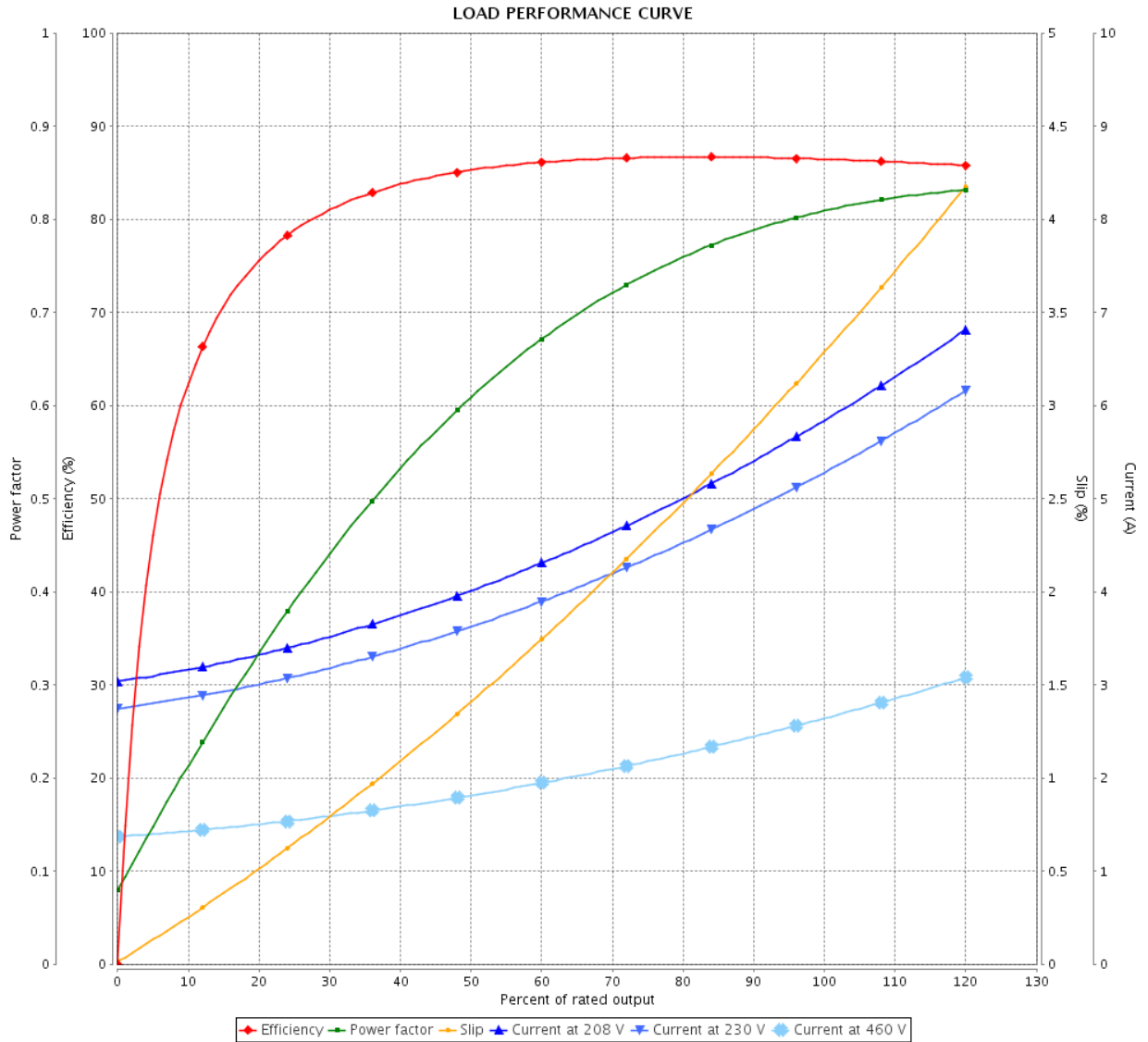
Product line : Rolled Steel Three-Phase

Product code :

12759194

Catalog # :

00218OT3E56-S



Performance : 208-230/460 V 60 Hz 4P

Rated current : 5.95-5.38/2.69 A  
 LRC : 7.7  
 Rated torque : 0.823 kgfm  
 Locked rotor torque : 260 %  
 Breakdown torque : 320 %  
 Rated speed : 1740 rpm

Moment of inertia (J) : 0.0049 kgm<sup>2</sup>  
 Duty cycle : Cont.(S1)  
 Insulation class : F  
 Service factor :  
 Temperature rise : 80 K  
 Design : A

Rev.	Changes Summary	Performed	Checked	Date
Performed by		Page		Revision
Checked by		3 / 5		
Date		13/02/2019		

# THERMAL LIMIT CURVE

Three Phase Induction Motor - Squirrel Cage



Customer :

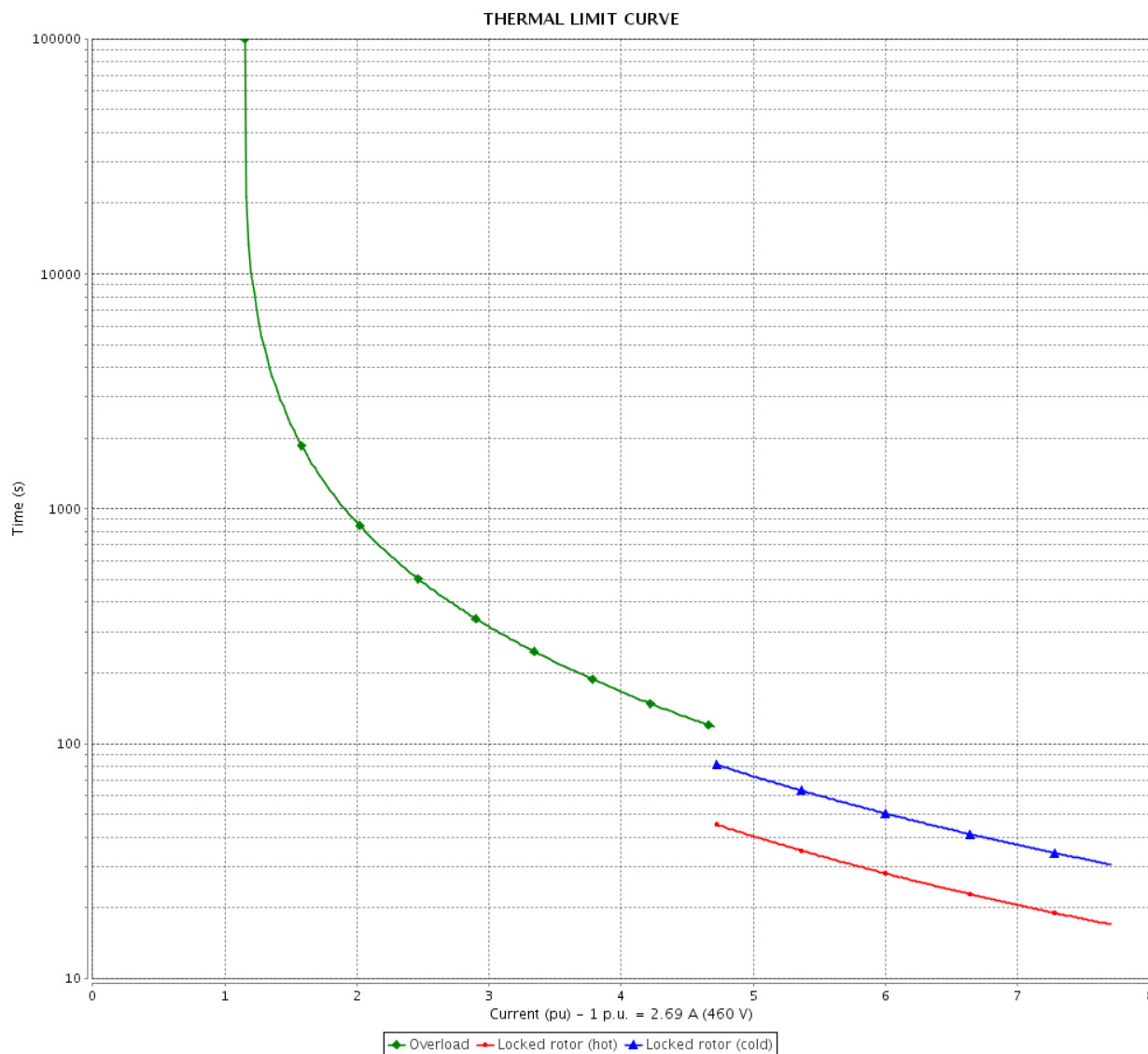
Product line : Rolled Steel Three-Phase

Product code :

12759194

Catalog # :

00218OT3E56-S



Performance : 208-230/460 V 60 Hz 4P

Rated current : 5.95-5.38/2.69 A  
 LRC : 7.7  
 Rated torque : 0.823 kgfm  
 Locked rotor torque : 260 %  
 Breakdown torque : 320 %  
 Rated speed : 1740 rpm

Moment of inertia (J) : 0.0049 kgm<sup>2</sup>  
 Duty cycle : Cont.(S1)  
 Insulation class : F  
 Service factor :  
 Temperature rise : 80 K  
 Design : A

Heating constant  
 Cooling constant

Rev.	Changes Summary	Performed	Checked	Date
Performed by				
Checked by				
Date				
		Page 4 / 5	Revision	

# VFD OPERATION CURVE

## Three Phase Induction Motor - Squirrel Cage

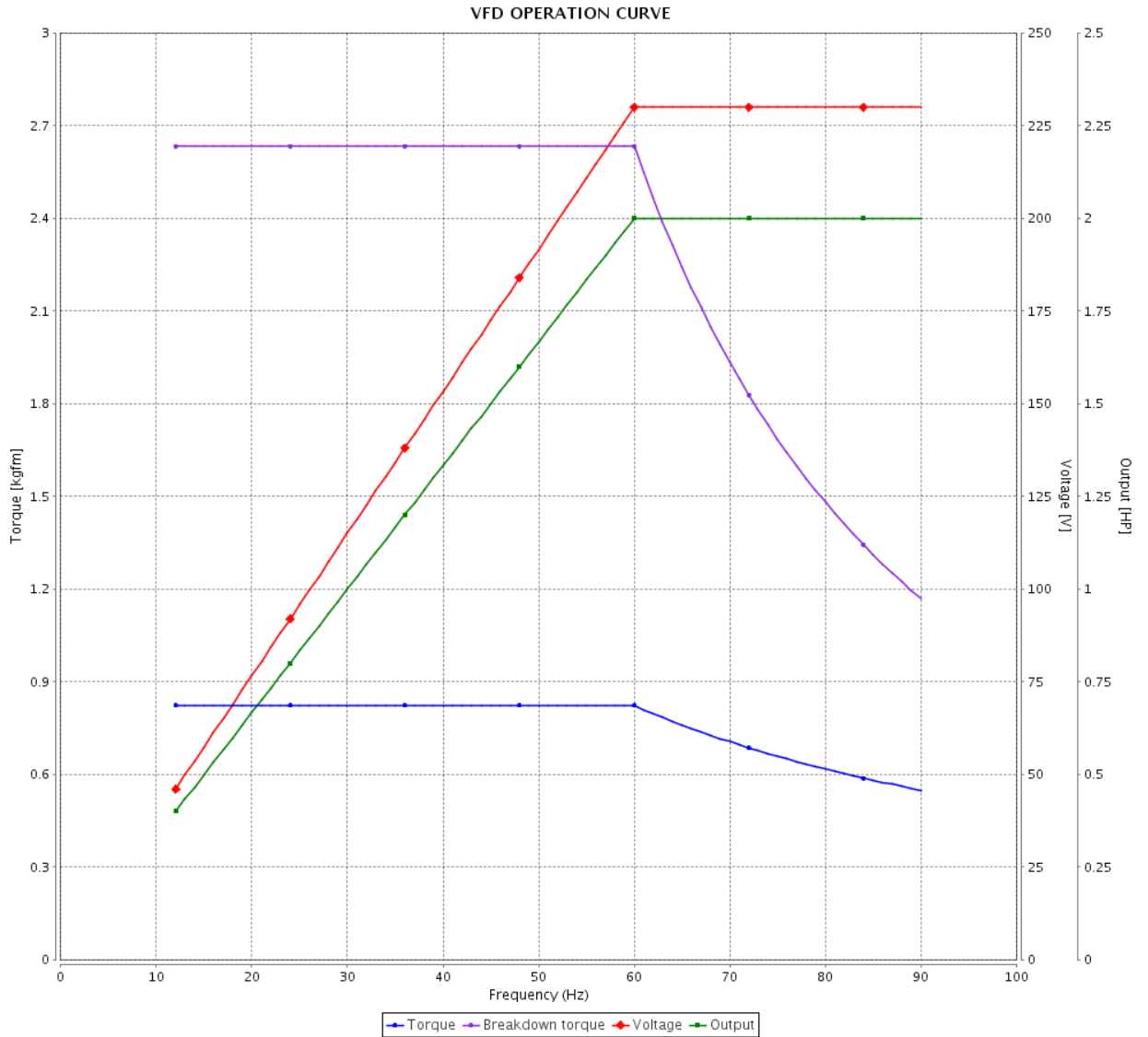


Customer : \_\_\_\_\_

Product line : Rolled Steel Three-Phase

Product code :  
Catalog # :

12759194  
00218OT3E56-S



Performance : 208-230/460 V 60 Hz 4P

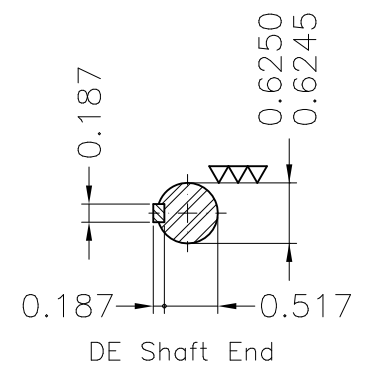
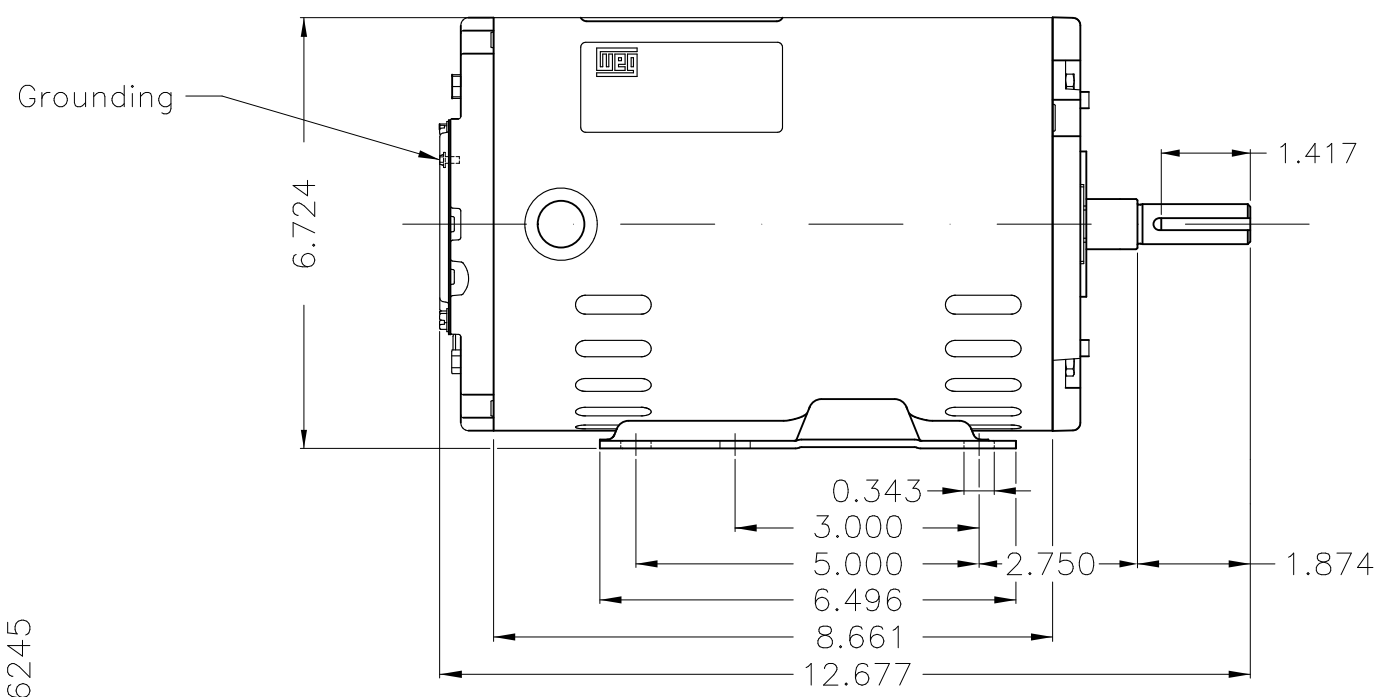
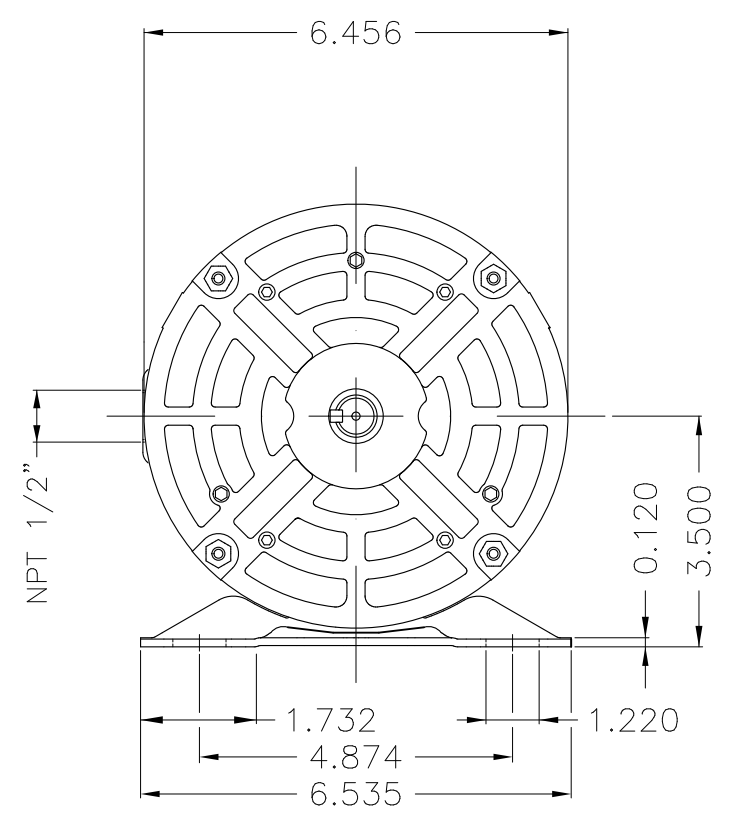
Rated current : 5.95-5.38/2.69 A  
 LRC : 7.7  
 Rated torque : 0.823 kgfm  
 Locked rotor torque : 260 %  
 Breakdown torque : 320 %  
 Rated speed : 1740 rpm

Moment of inertia (J) : 0.0049 kgm<sup>2</sup>  
 Duty cycle : Cont.(S1)  
 Insulation class : F  
 Service factor :  
 Temperature rise : 80 K  
 Design : A

Rev.	Changes Summary	Performed	Checked	Date
Performed by				Page 5 / 5
Checked by				
Date	13/02/2019			
				Revision

Dimensões em polegada  
Dimensions in inches

THIS IS AN UPDATED REVISION, THE  
PREVIOUS ONE MUST BE DISREGARDED.



Without coating									
Mounting F-1/B3R(D)									
ECM	LOC	SUMMARY OF MODIFICATIONS			EXECUTED	CHECKED	RELEASED	DATE	VER
EXECUTED	USERADMIN	THREE P. MOTOR OPEN ROLLED STEEL PREM EFF							
CHECKED		FRAME 56H ODP							
RELEASED		WEG code: 12759194							
REL DT	13.02.2019	WMO	Jaragua do Sul	Product Engineering	SHEET	1 / 1			

2 HP 04 Poles 60Hz

A

